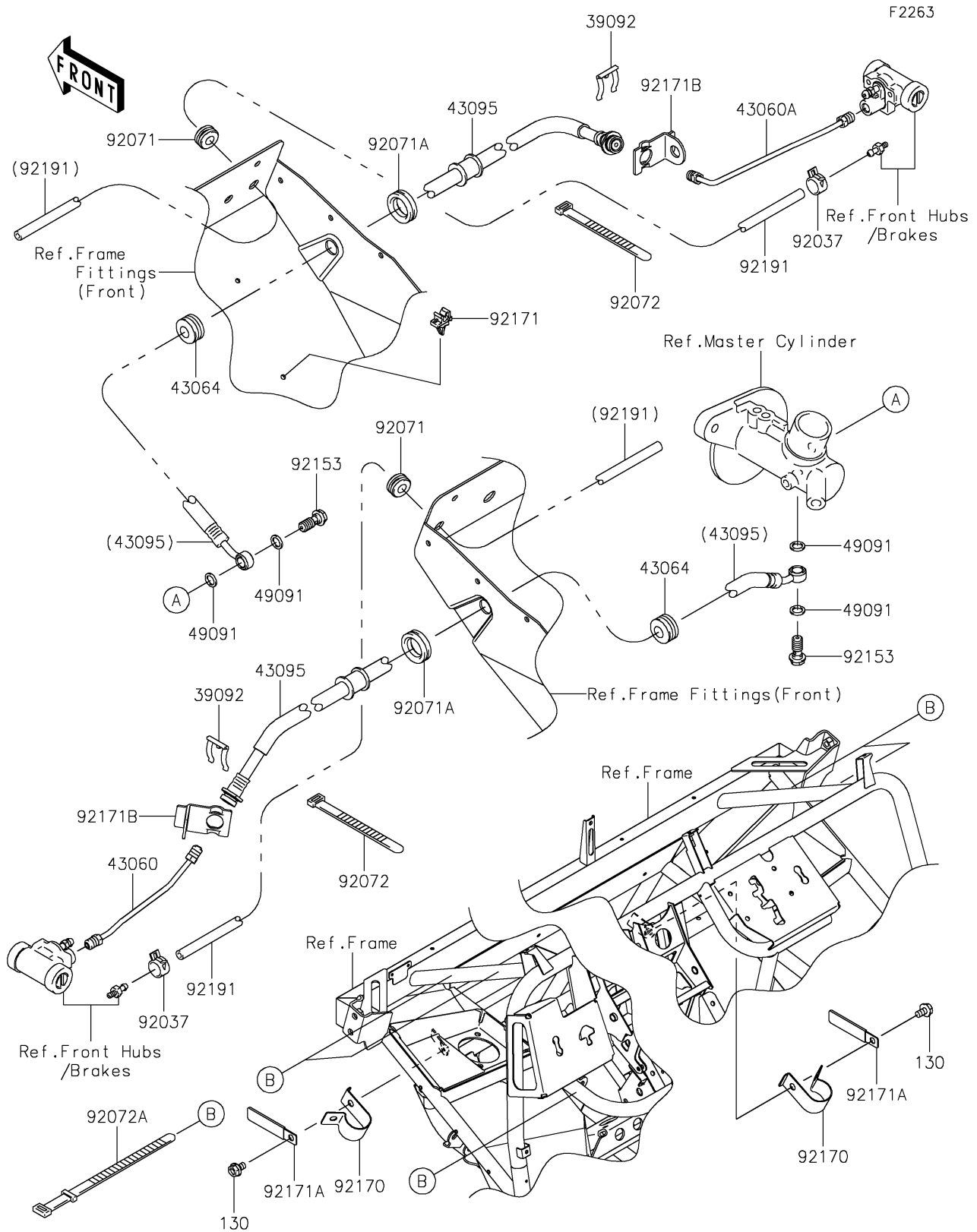


2026 MULE SX™ 4x4 XC

PARTS DIAGRAM

Front Brake Piping



2026 MULE SX™ 4x4 XC

PARTS LIST

Front Brake Piping

ITEM NAME	PART NUMBER	QUANTITY
-----------	-------------	----------
