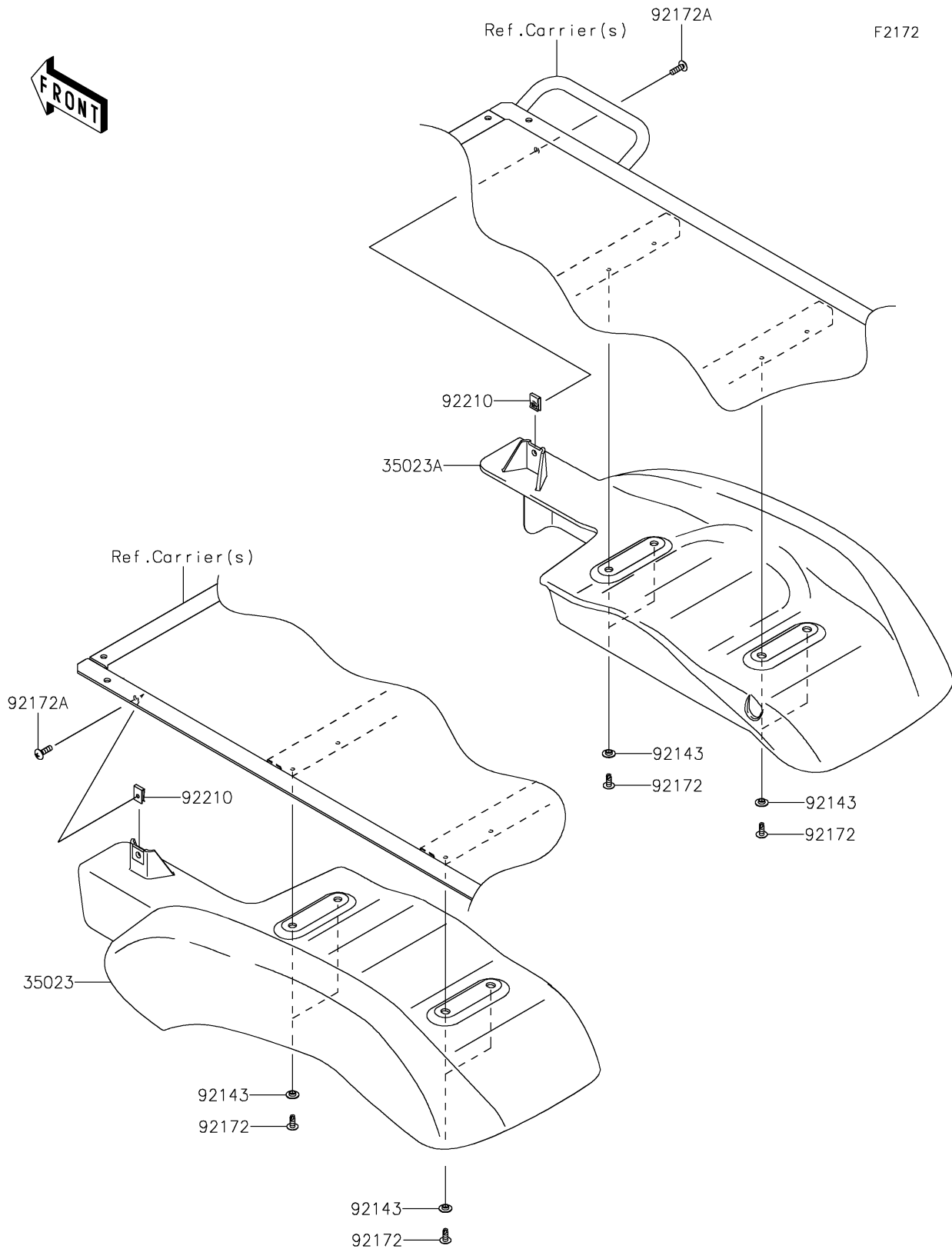


2026 MULE SX™ 4x4 XC

PARTS DIAGRAM

Rear Fender(s)



2026 MULE SX™ 4x4 XC

PARTS LIST

Rear Fender(s)

ITEM NAME	PART NUMBER	QUANTITY
-----------	-------------	----------
