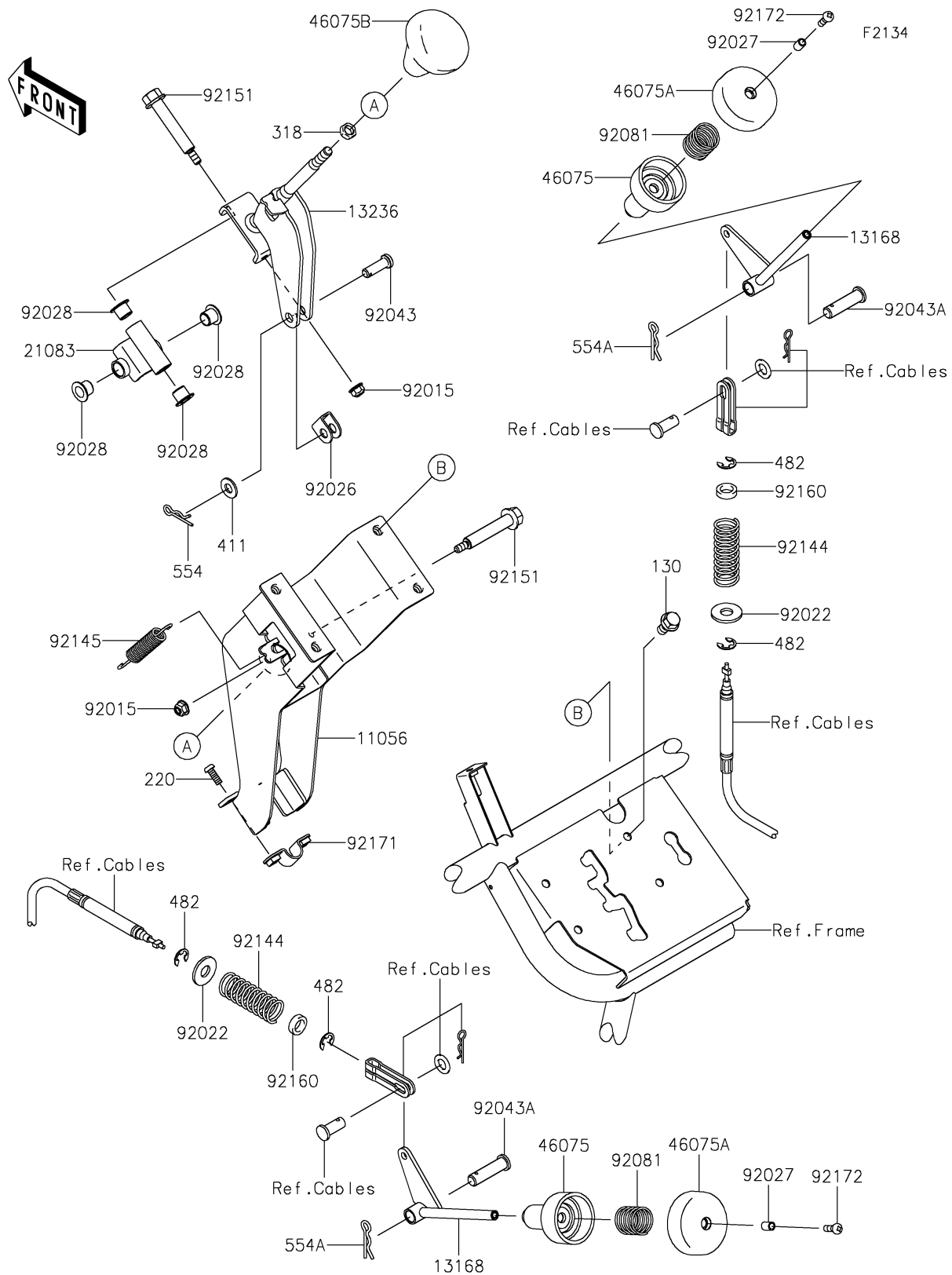


# 2026 MULE SX™ 4x4 XC

## PARTS DIAGRAM

### Shift Lever(s)



# 2026 MULE SX™ 4x4 XC

## PARTS LIST

Shift Lever(s)

**ITEM NAME**

**PART NUMBER**

**QUANTITY**

---