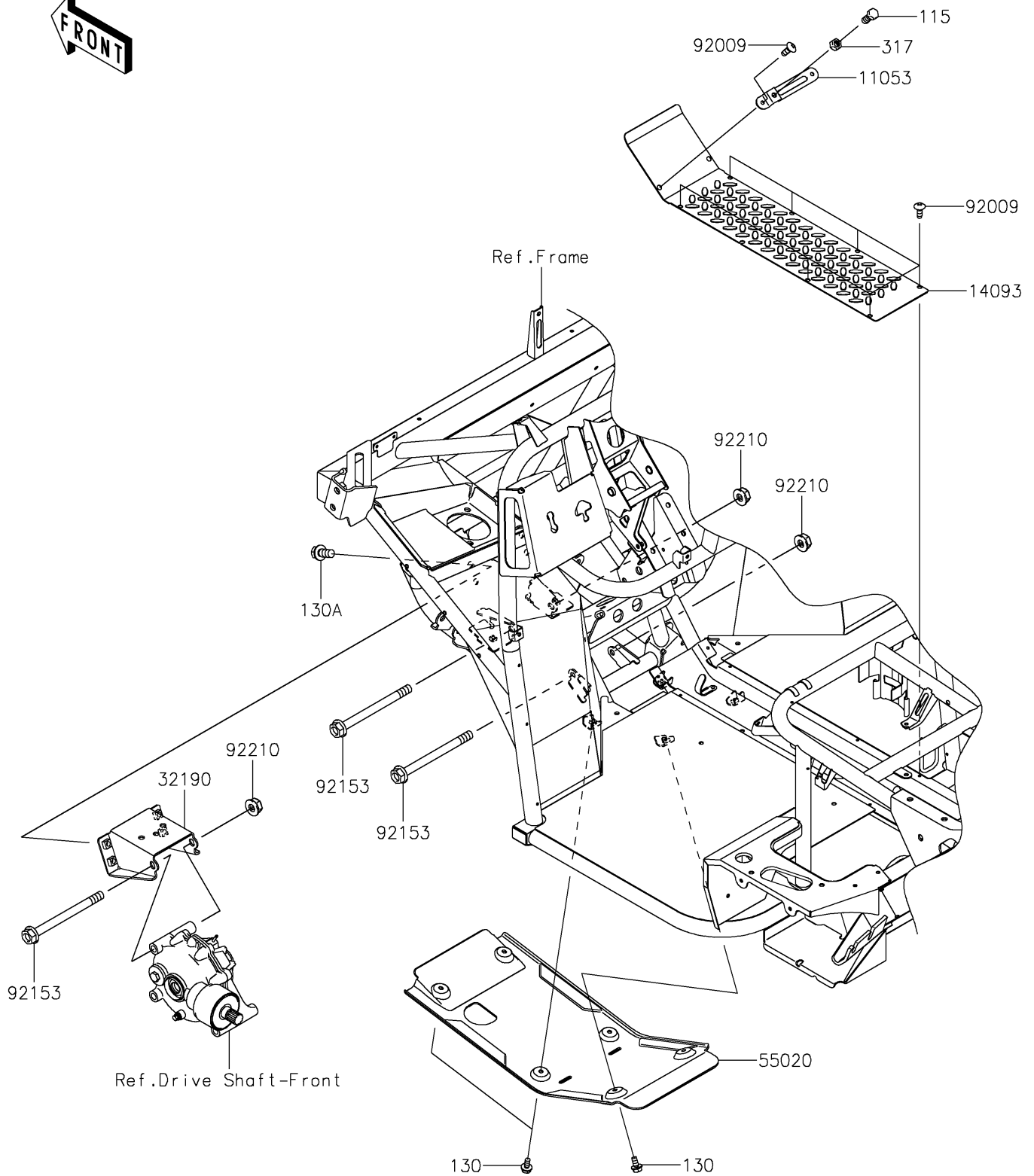


2026 MULE SX™ 4x4 XC

PARTS DIAGRAM

Engine Mount

F2122



2026 MULE SX™ 4x4 XC

PARTS LIST

Engine Mount



ITEM NAME	PART NUMBER	QUANTITY
-----------	-------------	----------
