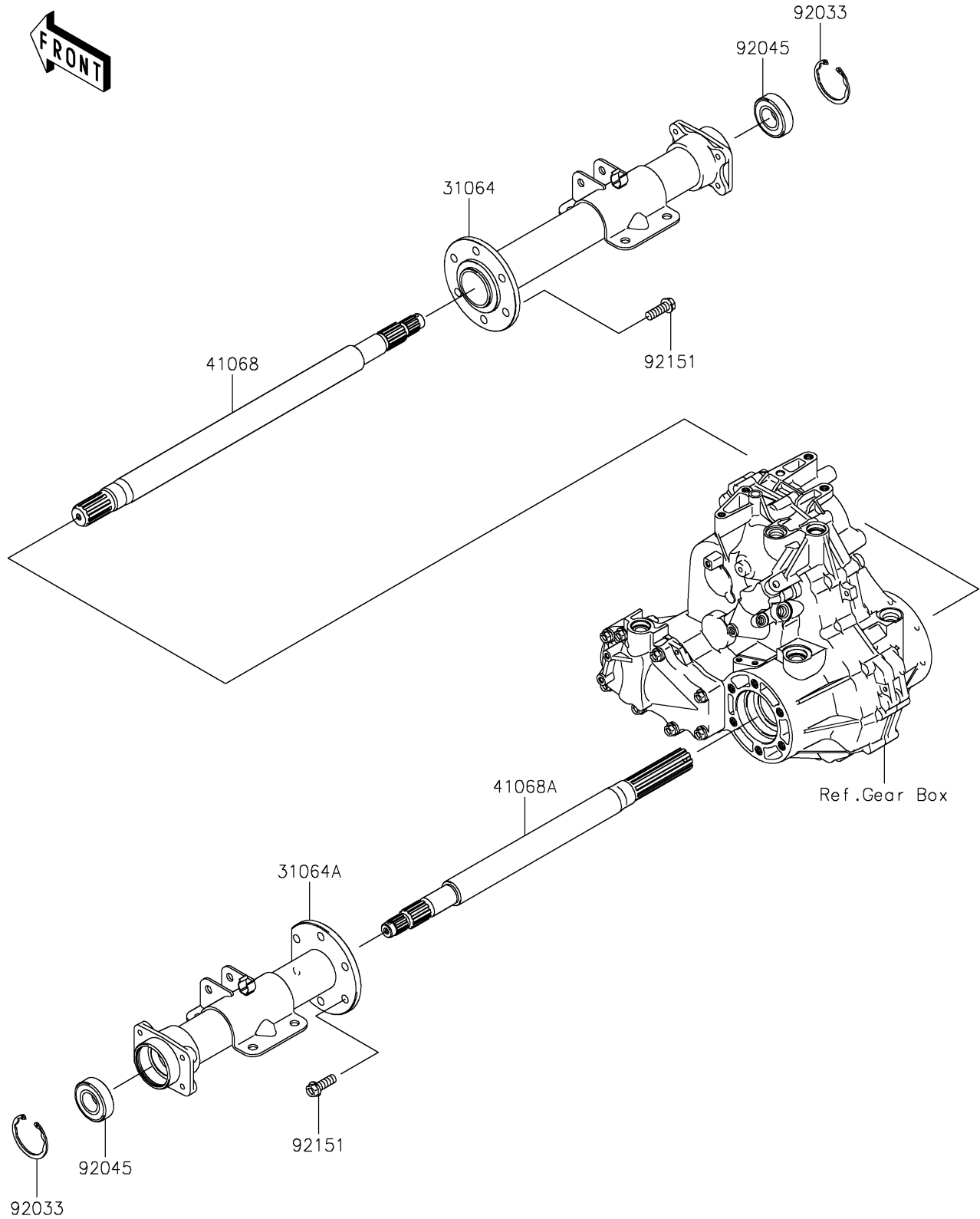


# 2026 MULE SX™ 4x4 XC

## PARTS DIAGRAM

### Rear Axle

E3133



# 2026 MULE SX™ 4x4 XC

## PARTS LIST

### Rear Axle

ITEM NAME	PART NUMBER	QUANTITY
-----------	-------------	----------

---