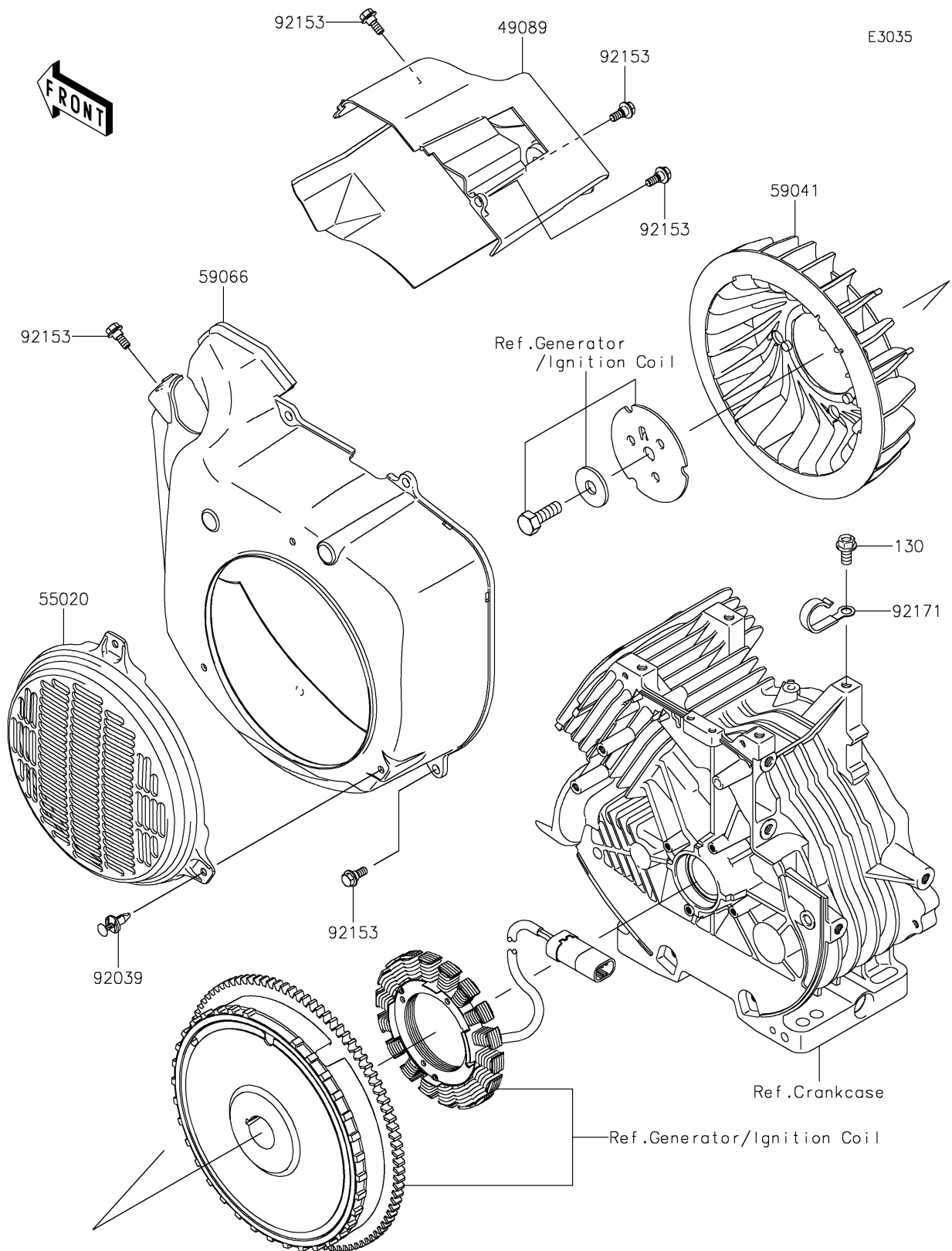


2026 MULE SX™ 4x4 XC

PARTS DIAGRAM

Cooling



2026 MULE SX™ 4x4 XC

PARTS LIST

Cooling

ITEM NAME

PART NUMBER

QUANTITY
