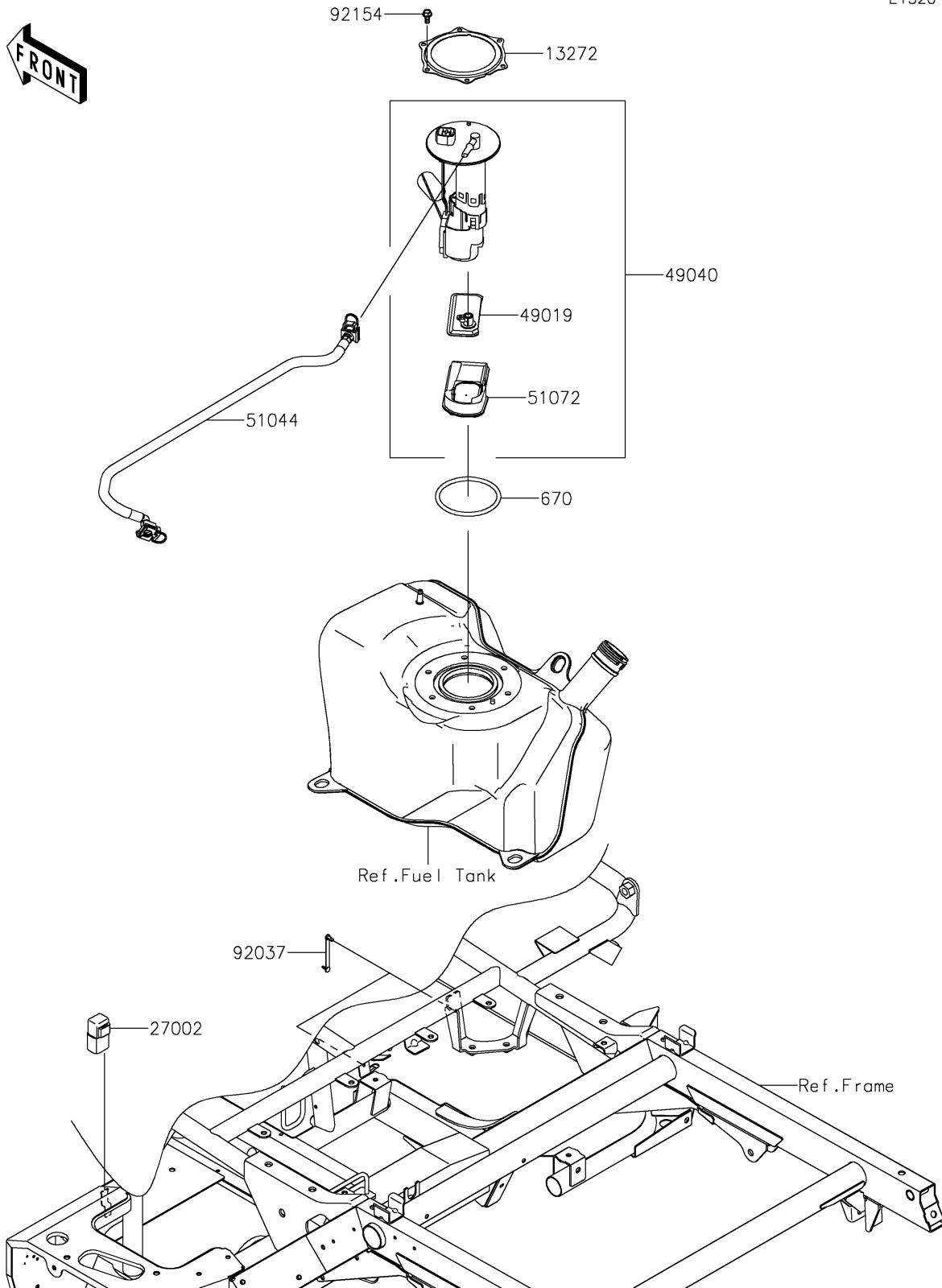


2026 MULE SX™ 4x4 XC

PARTS DIAGRAM

Fuel Pump

E1520



2026 MULE SX™ 4x4 XC

PARTS LIST

Fuel Pump

| ITEM NAME | PART NUMBER | QUANTITY |
|-----------|-------------|----------|
|-----------|-------------|----------|
