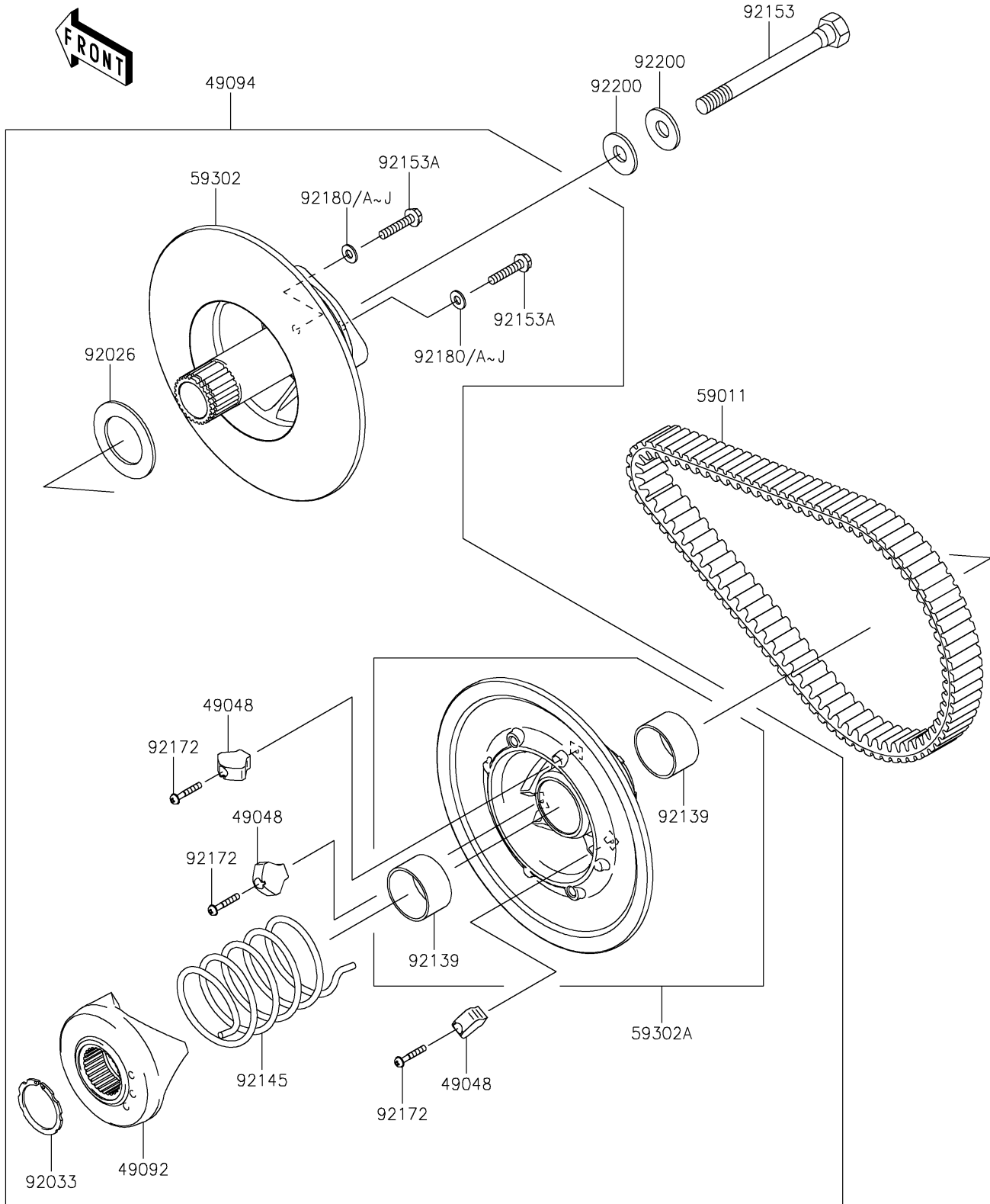


# 2026 MULE SX™ 4x4 XC

## PARTS DIAGRAM

### Driven Converter/Drive Belt

E1392



# 2026 MULE SX™ 4x4 XC

## PARTS LIST

### Driven Converter/Drive Belt

ITEM NAME	PART NUMBER	QUANTITY
-----------	-------------	----------

---