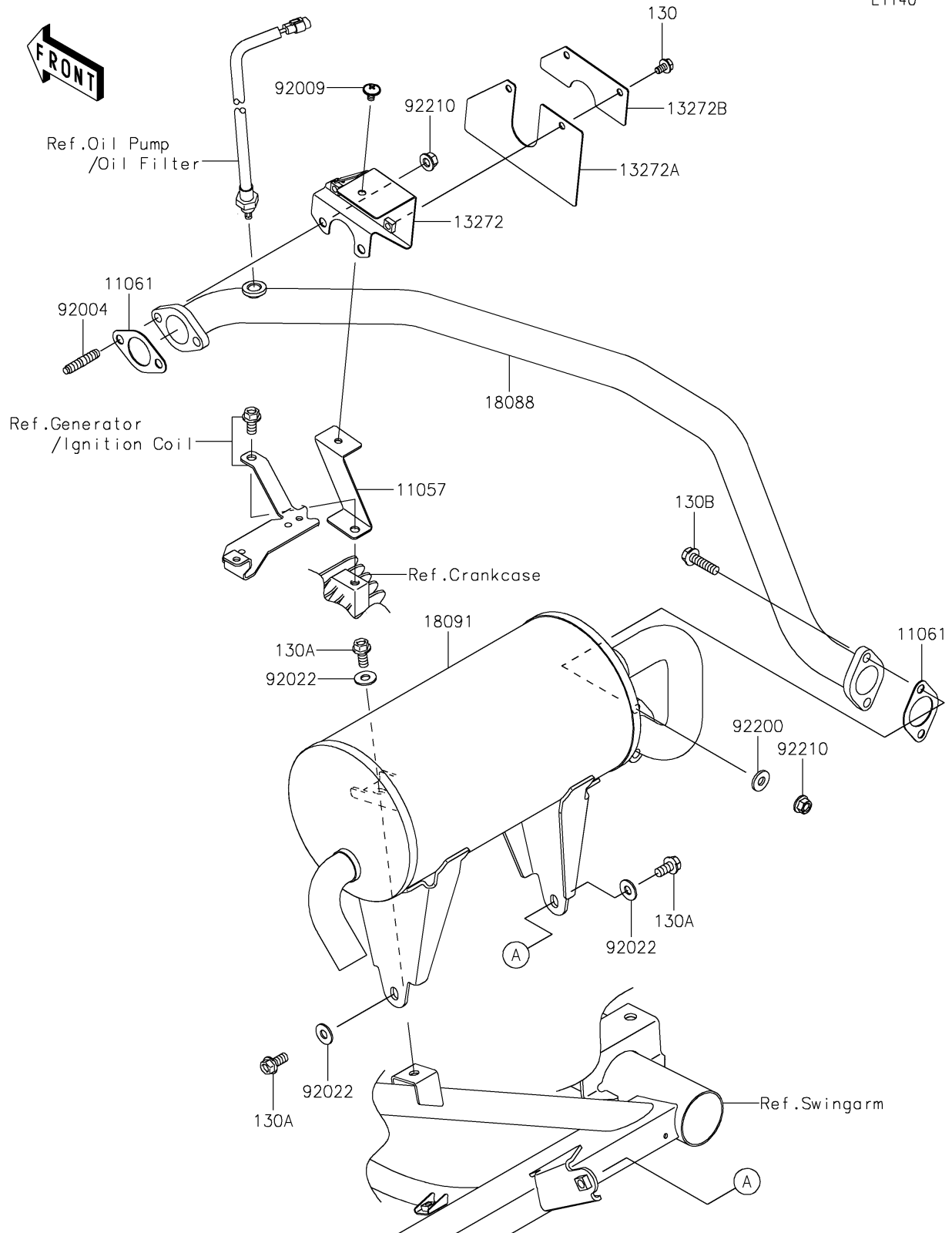


2026 MULE SX™ 4x4 XC

PARTS DIAGRAM

Muffler(s)

E1140



2026 MULE SX™ 4x4 XC

PARTS LIST

Muffler(s)

ITEM NAME	PART NUMBER	QUANTITY
-----------	-------------	----------
