

# 2026 MULE SX™ 4x4

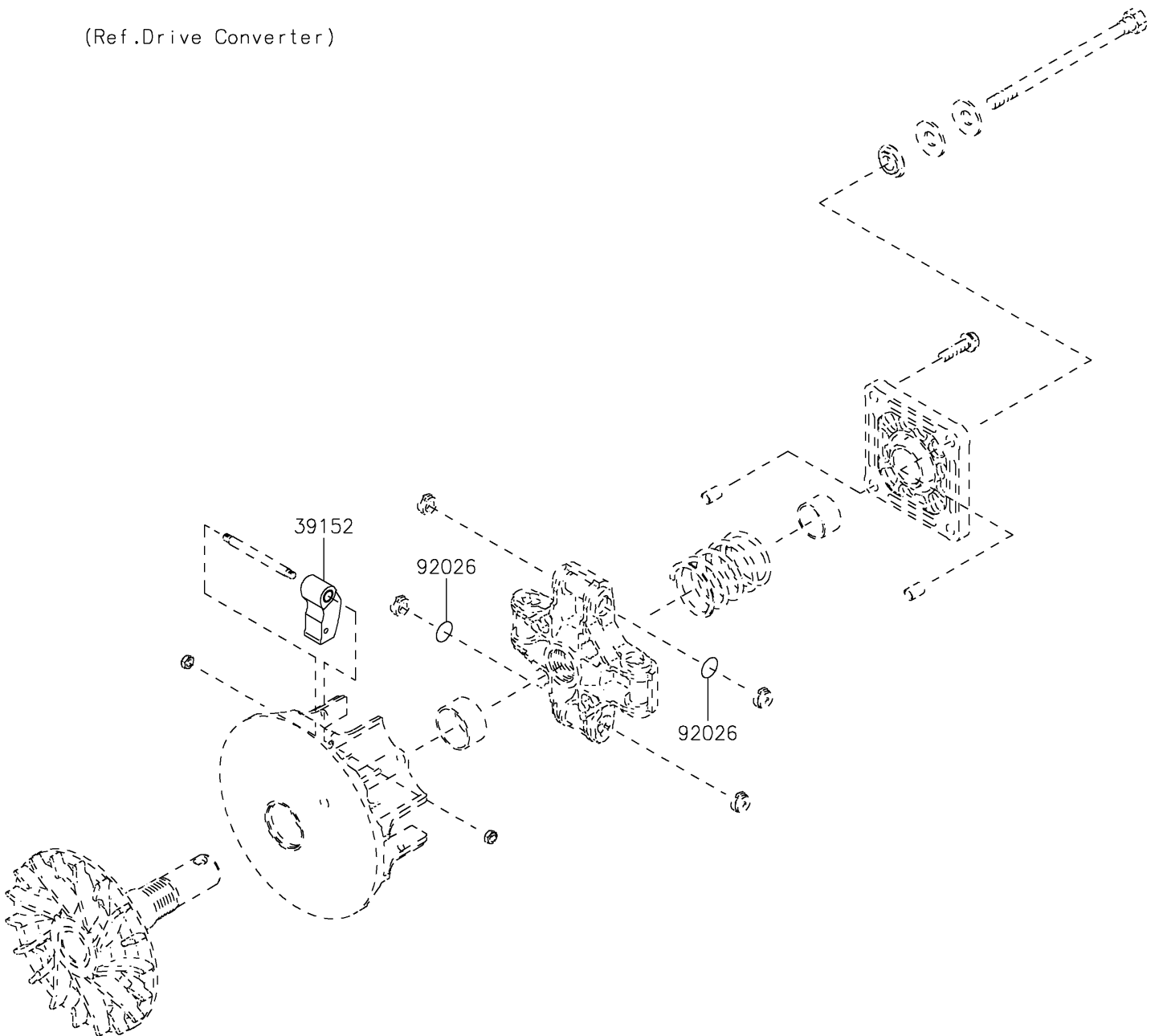
## PARTS DIAGRAM

### Optional Parts

F2890



(Ref. Drive Converter)



# 2026 MULE SX™ 4x4

## PARTS LIST Optional Parts

ITEM NAME	PART NUMBER	QUANTITY
-----------	-------------	----------

---