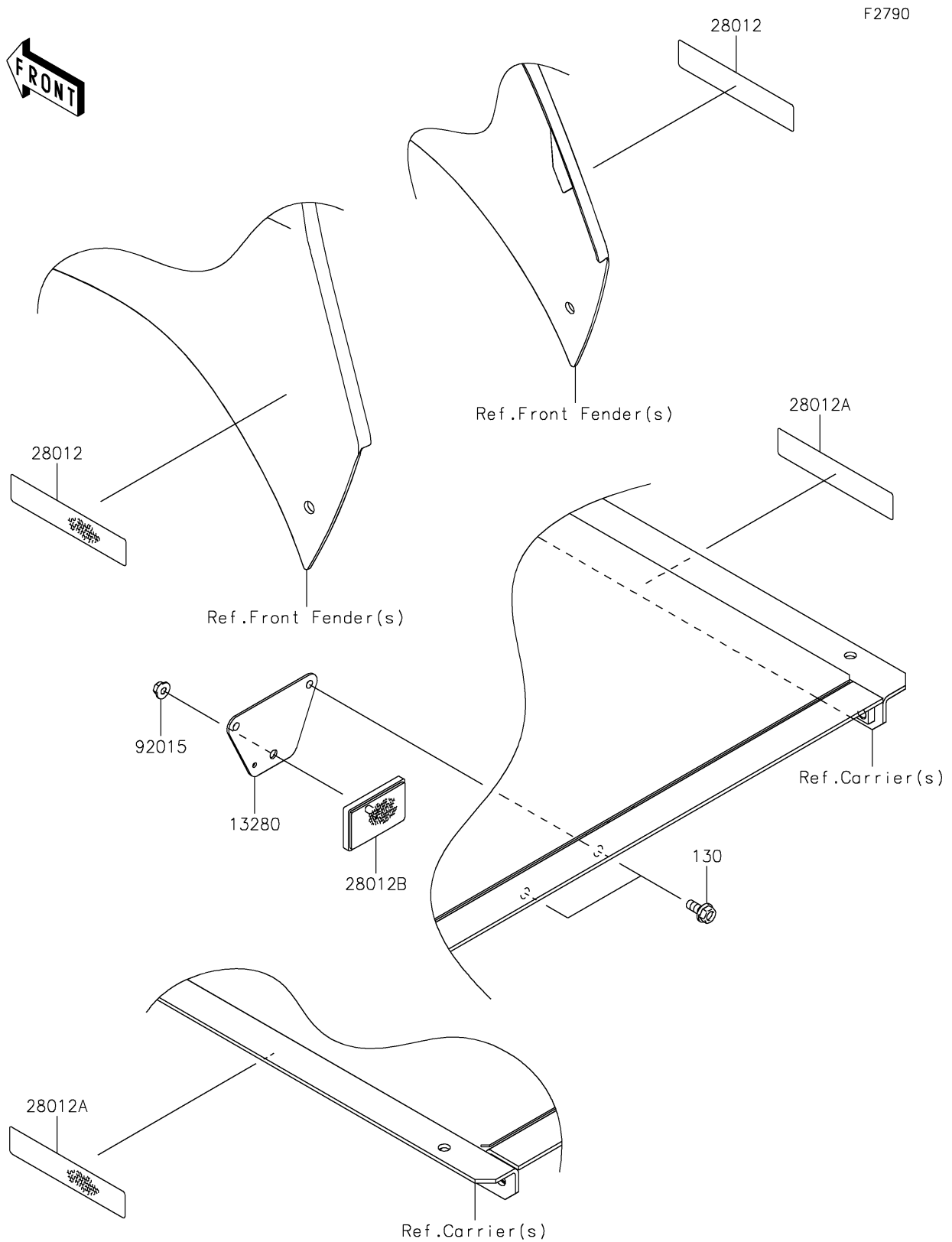


# 2026 MULE SX™ 4x4

## PARTS DIAGRAM

### Reflectors



# 2026 MULE SX™ 4x4

## PARTS LIST

### Reflectors

**ITEM NAME**

**PART NUMBER**

**QUANTITY**

---