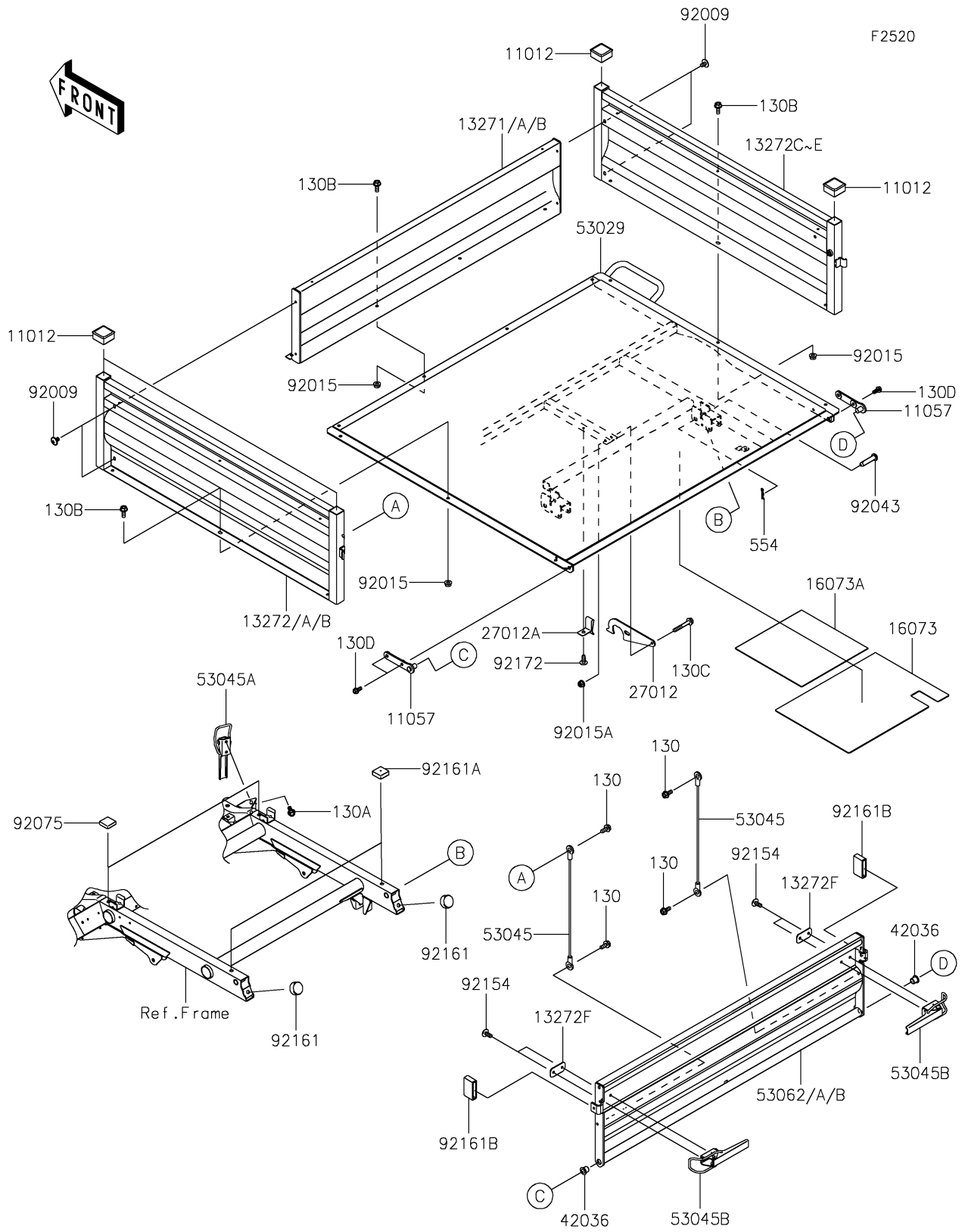


2026 MULE SX™ 4x4

PARTS DIAGRAM

Carrier(s)



2026 MULE SX™ 4x4

PARTS LIST

Carrier(s)

ITEM NAME

PART NUMBER

QUANTITY
