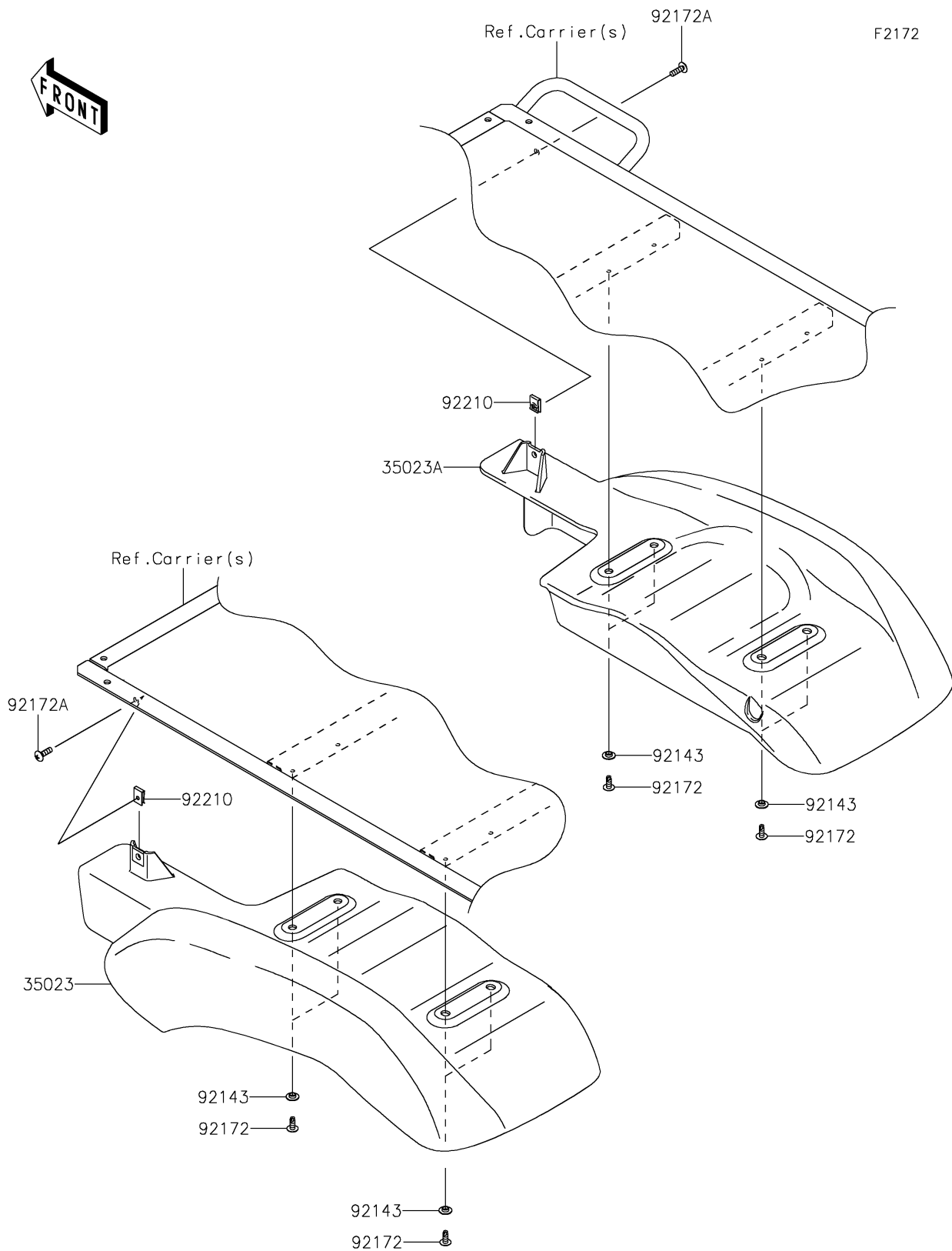


2026 MULE SX™ 4x4

PARTS DIAGRAM

Rear Fender(s)



2026 MULE SX™ 4x4

PARTS LIST

Rear Fender(s)

ITEM NAME

PART NUMBER

QUANTITY
