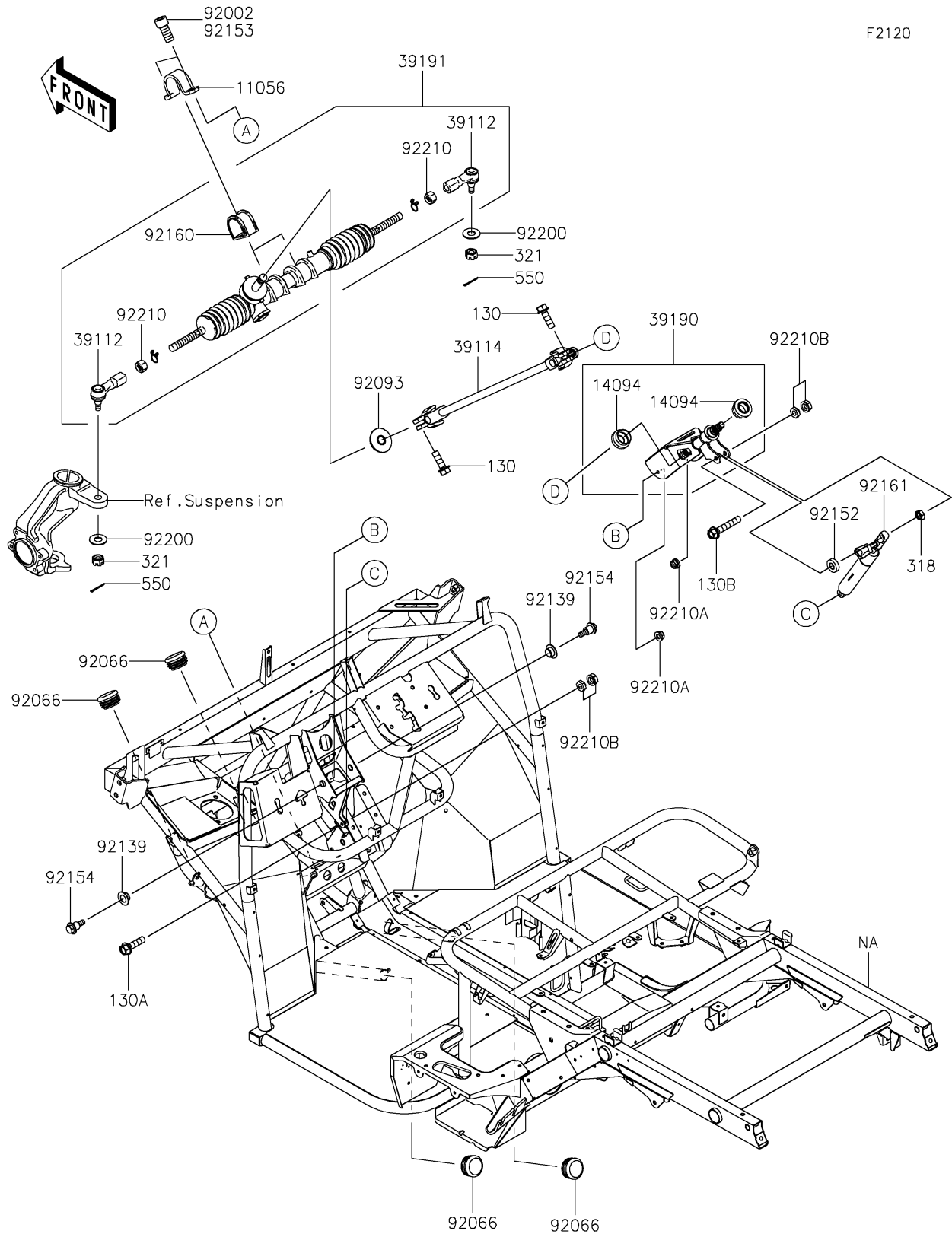


2026 MULE SX™ 4x4

PARTS DIAGRAM

Frame



2026 MULE SX™ 4x4

PARTS LIST

Frame

ITEM NAME

PART NUMBER

QUANTITY
