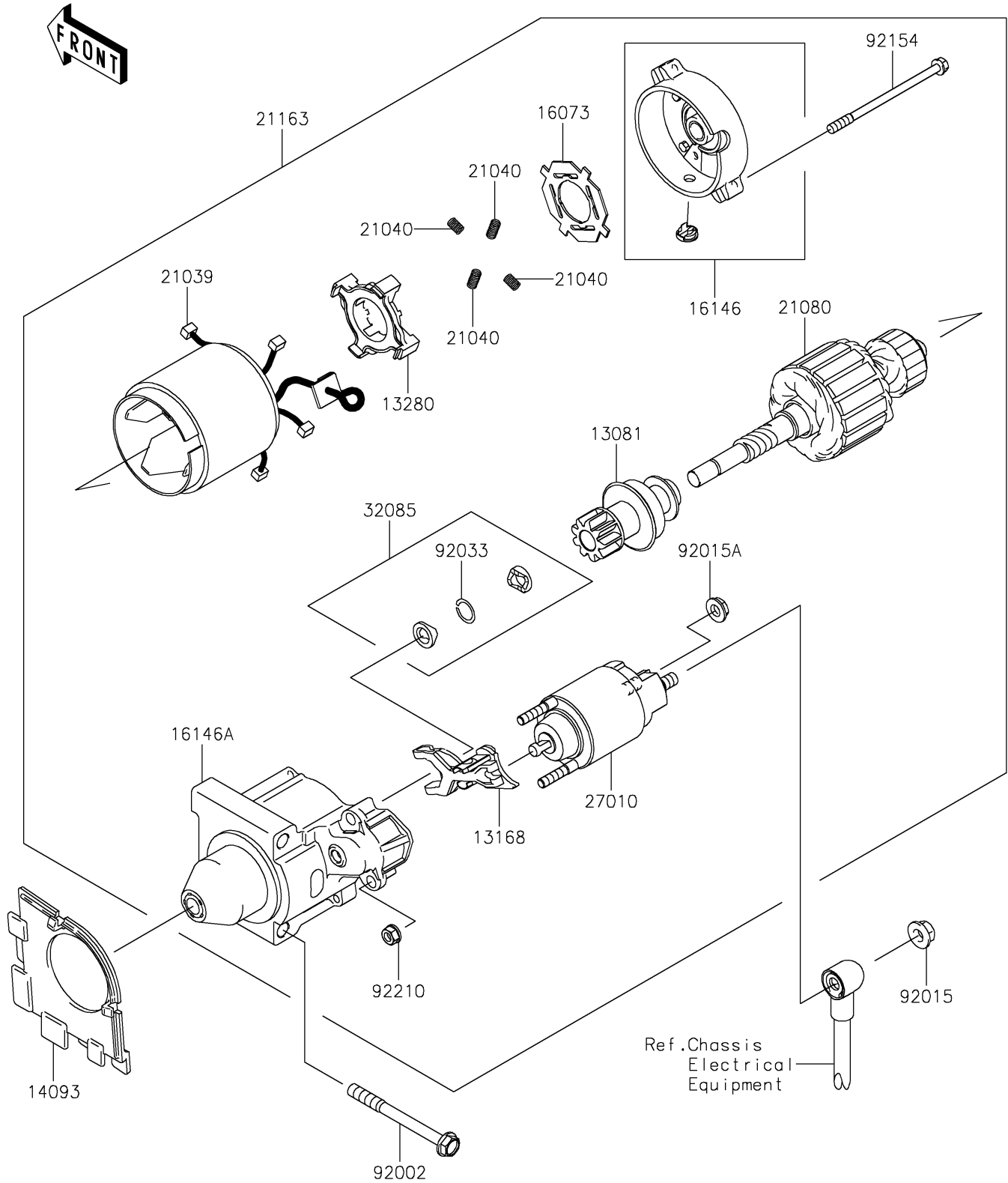


# 2026 MULE SX™ 4x4

## PARTS DIAGRAM

### Starter Motor

E1840



# 2026 MULE SX™ 4x4

## PARTS LIST

### Starter Motor

**ITEM NAME**

**PART NUMBER**

**QUANTITY**

---