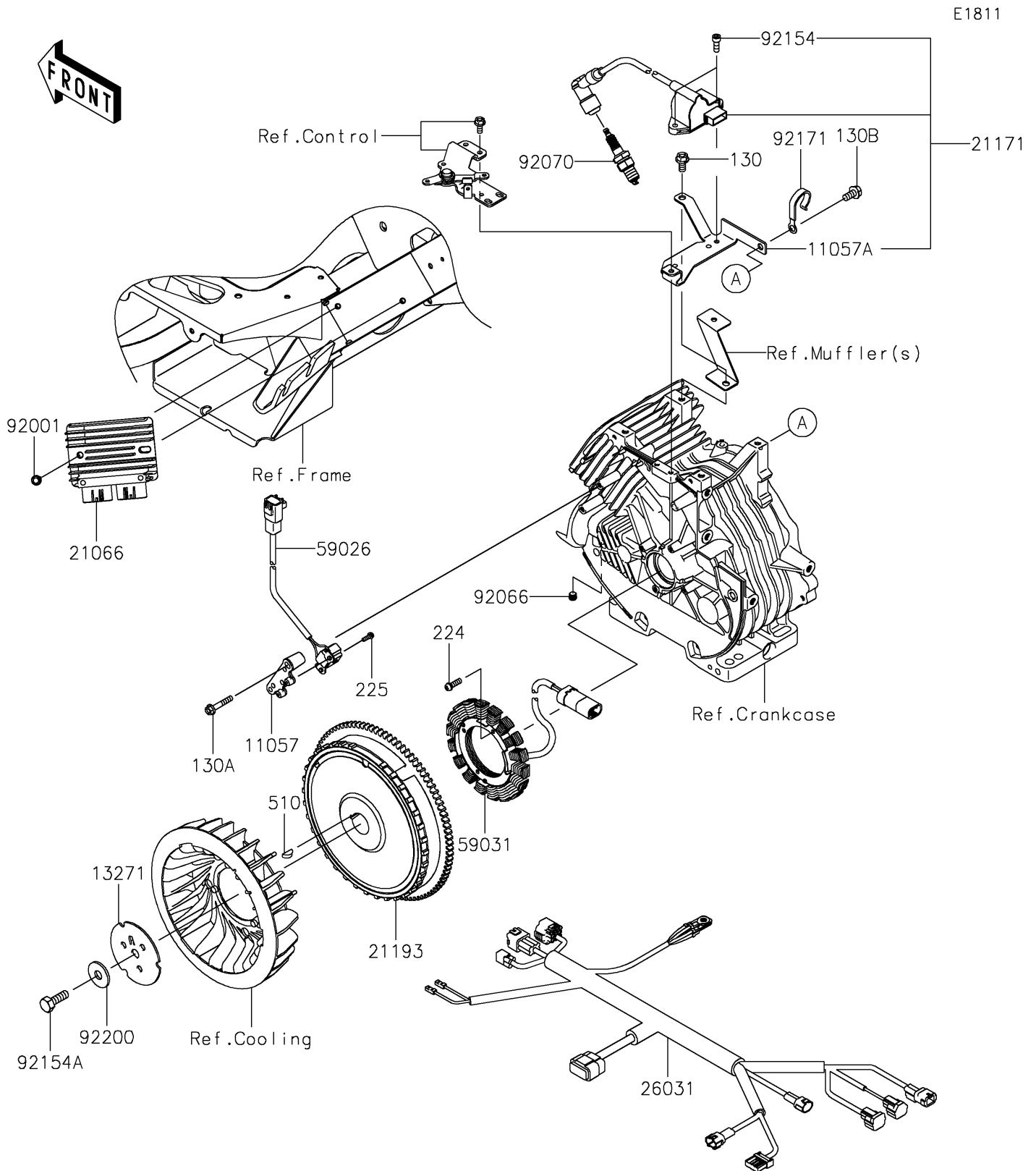


# 2026 MULE SX™ 4x4

## PARTS DIAGRAM

### Generator/Ignition Coil



# 2026 MULE SX™ 4x4

## PARTS LIST

### Generator/Ignition Coil

**ITEM NAME**

**PART NUMBER**

**QUANTITY**

---