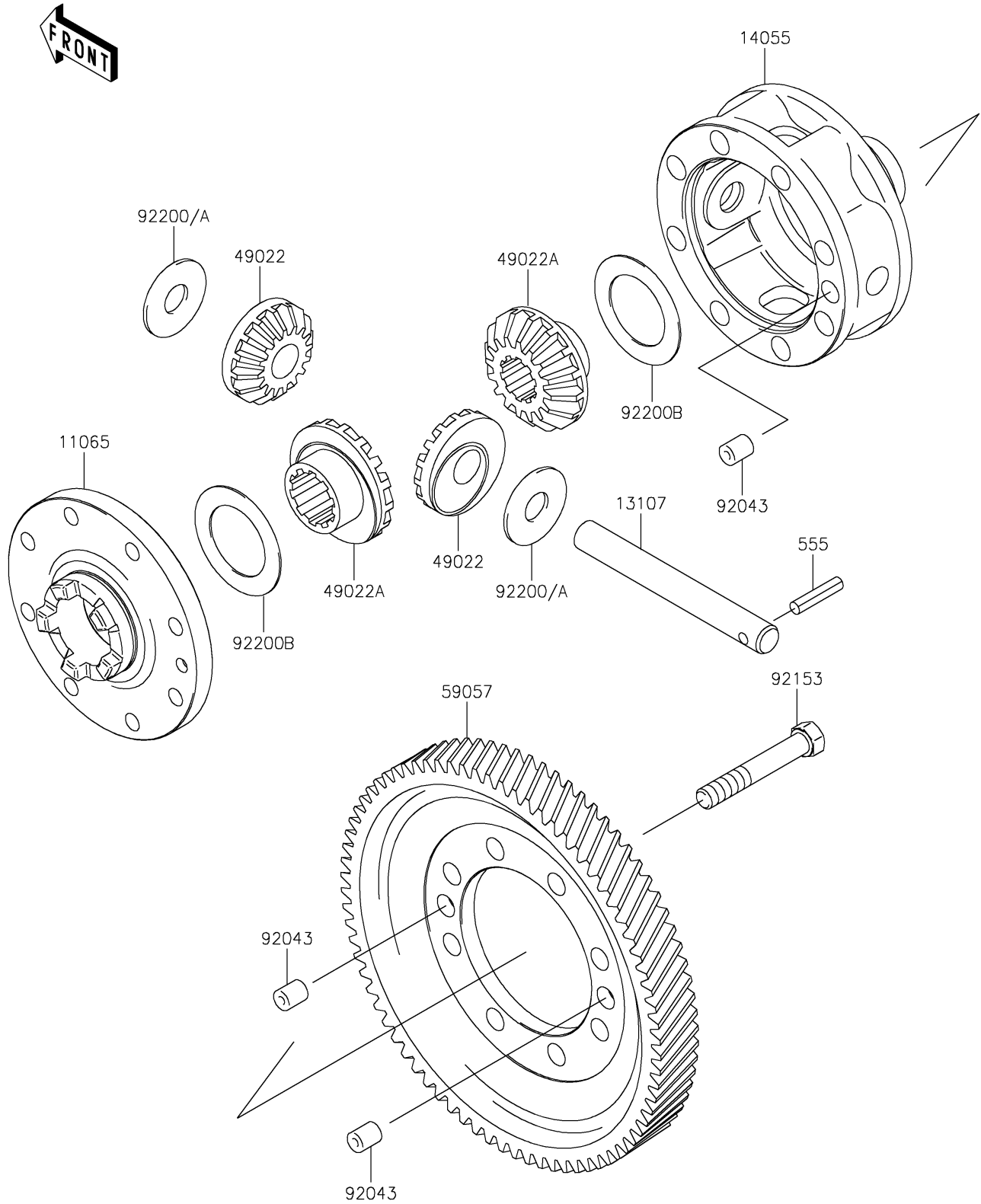


# 2026 MULE 4000 TRANS™

## PARTS DIAGRAM

### Differential

E1451



# 2026 MULE 4000 TRANS™

## PARTS LIST

### Differential

**ITEM NAME**

**PART NUMBER**

**QUANTITY**

---