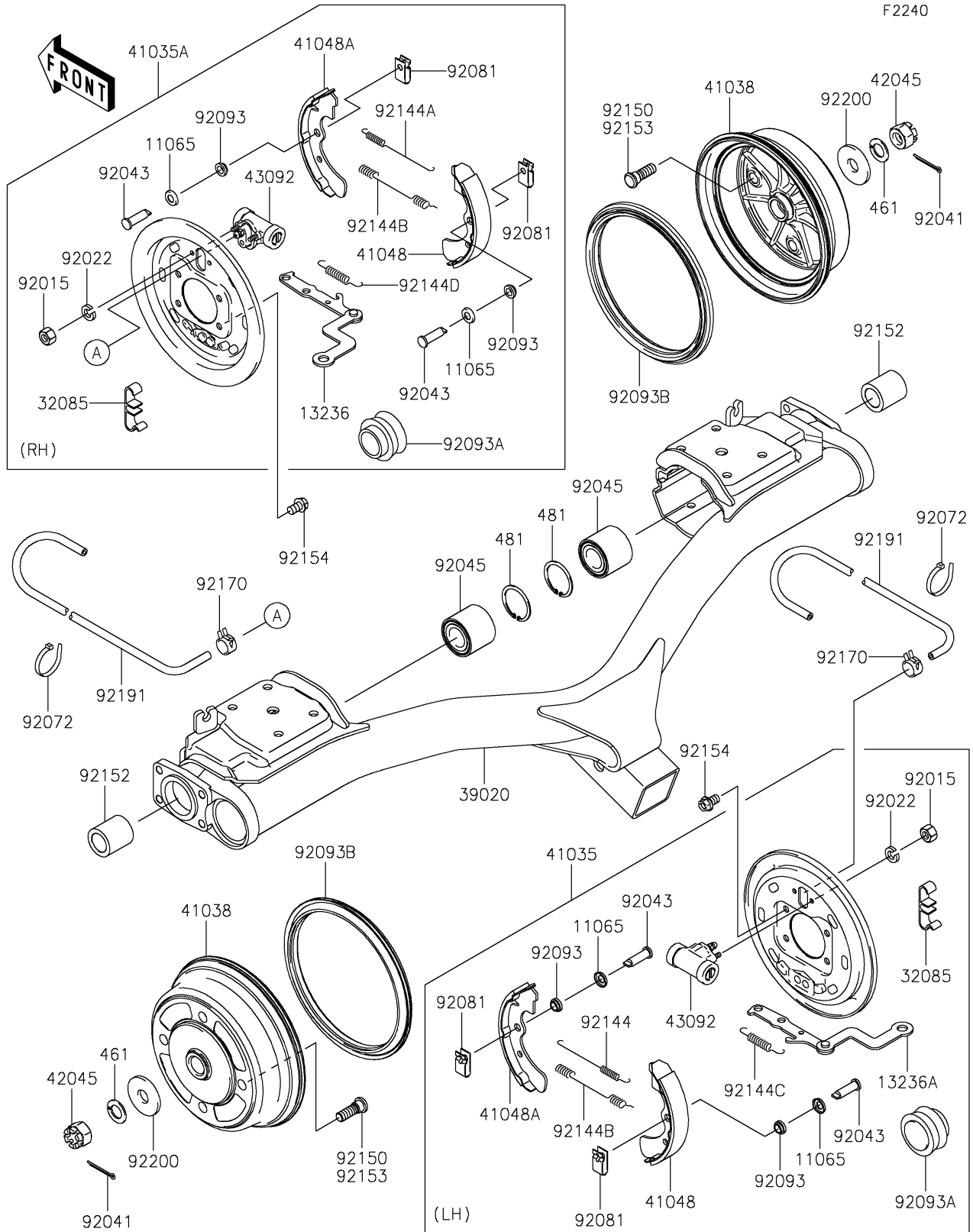


# 2026 MULE™ 4000

## PARTS DIAGRAM

### Rear Hubs/Brakes



# 2026 MULE™ 4000

## PARTS LIST

### Rear Hubs/Brakes

**ITEM NAME**

**PART NUMBER**

**QUANTITY**

---