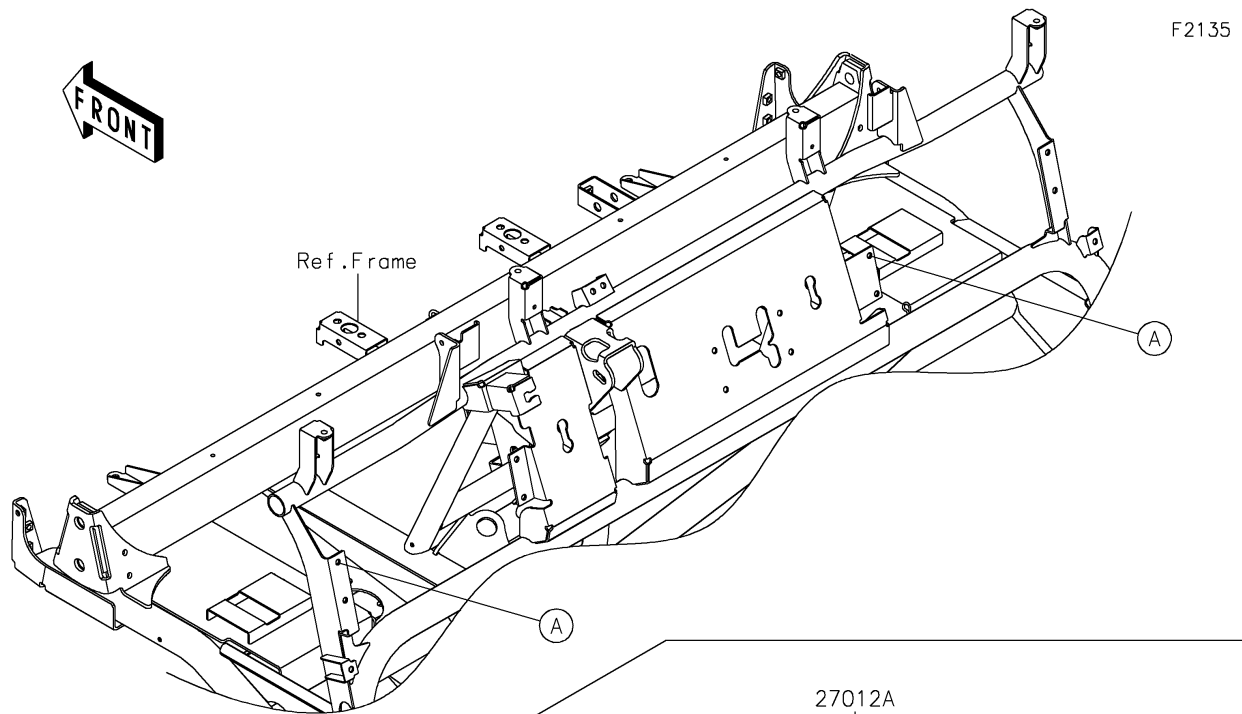


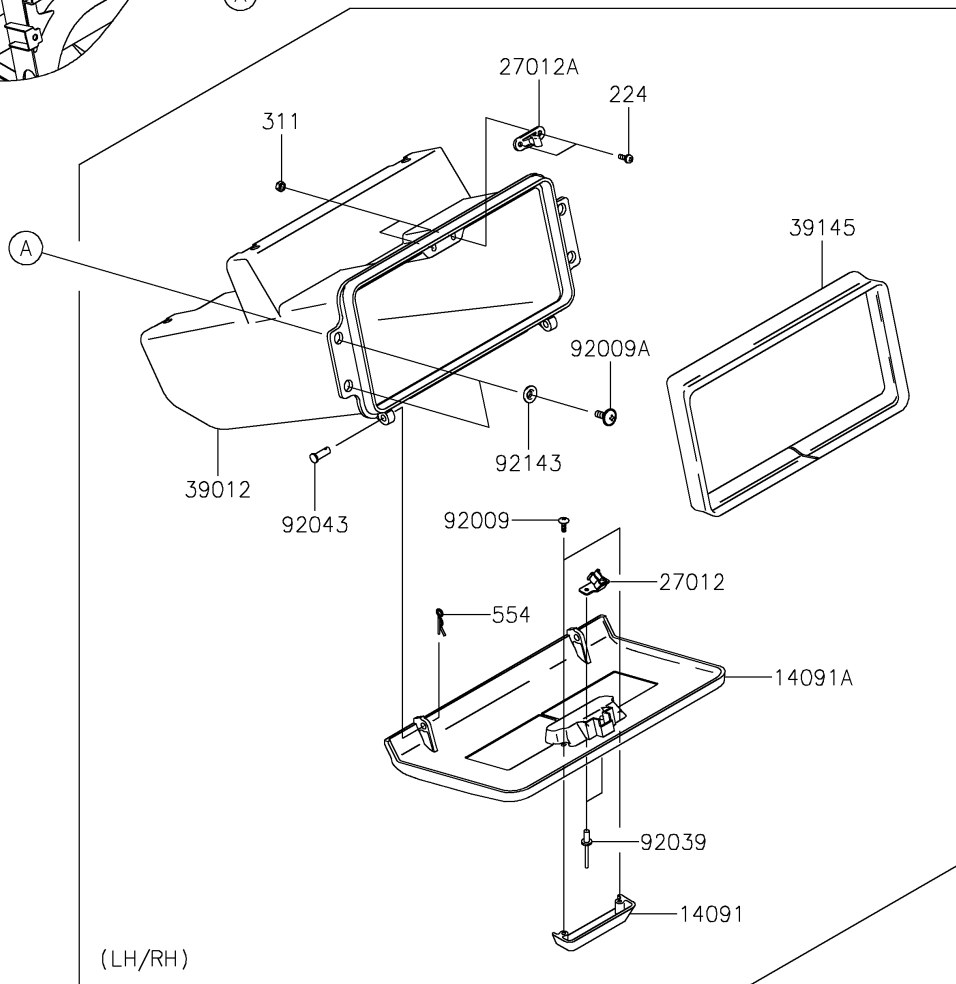
# 2026 MULE™ 4000

## PARTS DIAGRAM

### Front Box



F2135



# 2026 MULE™ 4000

## PARTS LIST

Front Box

**ITEM NAME**

**PART NUMBER**

**QUANTITY**

---