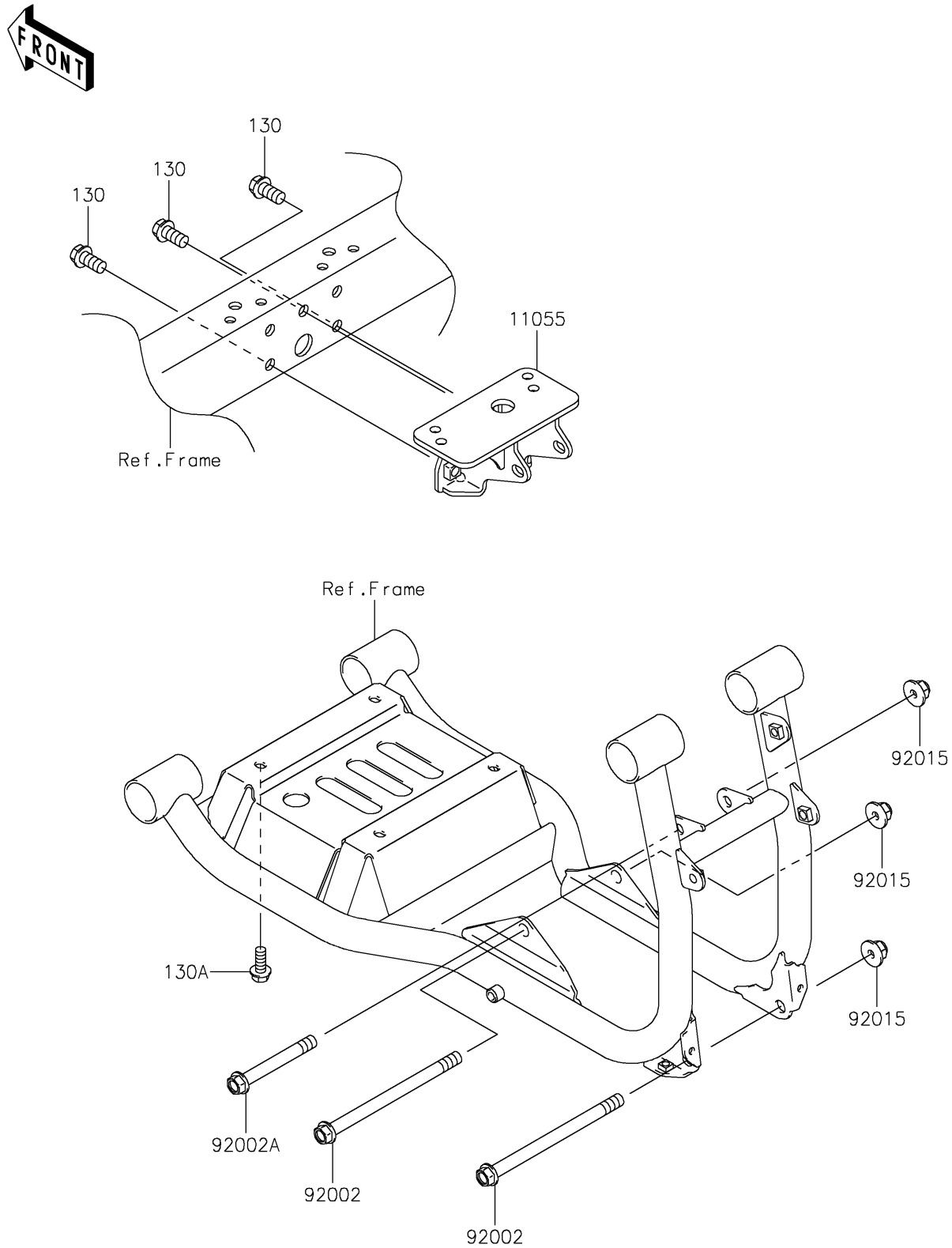


# 2026 MULE™ 4000

## PARTS DIAGRAM

### Engine Mount

F2122



# 2026 MULE™ 4000

## PARTS LIST

### Engine Mount

| ITEM NAME | PART NUMBER | QUANTITY |
|-----------|-------------|----------|
|-----------|-------------|----------|

---