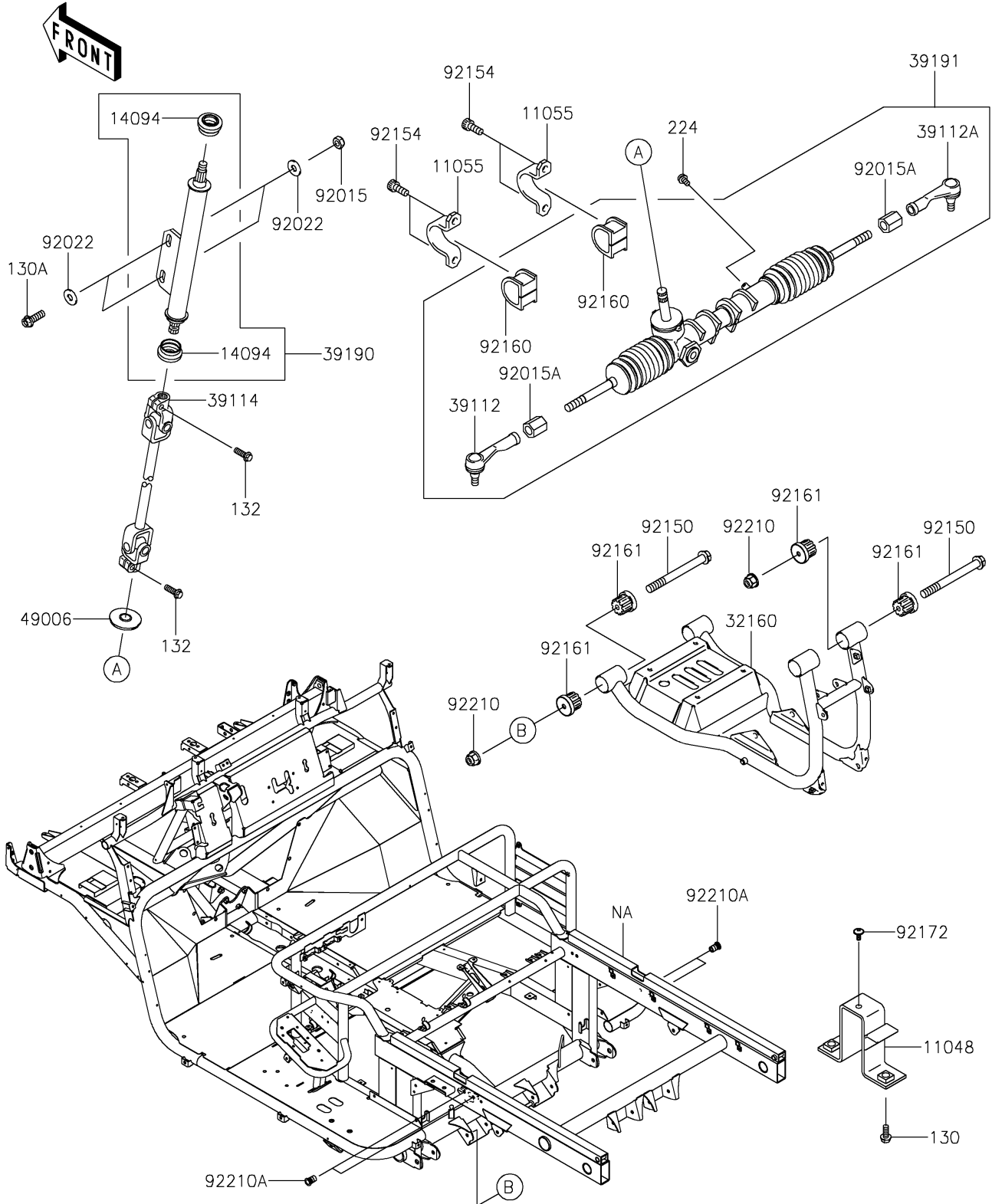


2026 MULE™ 4000

PARTS DIAGRAM

Frame

F2120



2026 MULE™ 4000

PARTS LIST

Frame

| ITEM NAME | PART NUMBER | QUANTITY |
|--|-------------|----------|
| BRACKET,REAR FRAME (Ref # 11048) | 11048-1245 | 1 |
| BRACKET,STEERING GEAR (Ref # 11055) | 11055-1240 | 2 |
| COVER,STEERING SHAFT (Ref # 14094) | 14094-0322 | 2 |
| FRAME-COMP,RR (Ref # 32160) | 32160-2060 | 1 |
| RODEND-TIE,STEERING GEAR,LH (Ref # 39112) | 39112-1068 | 1 |
| RODEND-TIE,STEERING GEAR,RH (Ref # 39112A) | 39112-1069 | 1 |
| SHAFT-COMP-STRG (Ref # 39114) | 39114-0009 | 1 |
| SHAFT-ASSY-STEERING (Ref # 39190) | 39190-0024 | 1 |
| GEAR-ASSY-STEERING (Ref # 39191) | 39191-0021 | 1 |
| BOOT,STEERING SHAFT,LWR (Ref # 49006) | 49006-1255 | 1 |
| NUT,LOCK,10MM,BLACK (Ref # 92015) | 92015-1189 | 2 |
| NUT (Ref # 92015A) | 92015-1864 | 2 |
| WASHER,10.5X26X2.3 (Ref # 92022) | 92022-044 | 4 |
| BOLT,FLANGED,10X100 (Ref # 92150) | 92150-1731 | 4 |
| BOLT,SOCKET,10X23 (Ref # 92154) | 92154-1434 | 4 |
| DAMPER,STEERING GEAR (Ref # 92160) | 92160-1084 | 2 |
| DAMPER (Ref # 92161) | 92161-0800 | 8 |
| SCREW,6X14 (Ref # 92172) | 92172-0004 | 1 |
| NUT,LOCK,FLANGED,10MM (Ref # 92210) | 92210-0276 | 4 |
| NUT,POP,6MM,L=15 (Ref # 92210A) | 92210-1397 | 4 |
| BOLT-FLANGED,8X20 (Ref # 130) | 130BA0820 | 2 |
| BOLT-FLANGED,10X30 (Ref # 130A) | 130BA1030 | 2 |
| BOLT-FLANGED-SMALL,8X25 (Ref # 132) | 132BA0825 | 2 |
| SCREW-PAN-WP-CROS,5X8 (Ref # 224) | 224AA0508 | 1 |