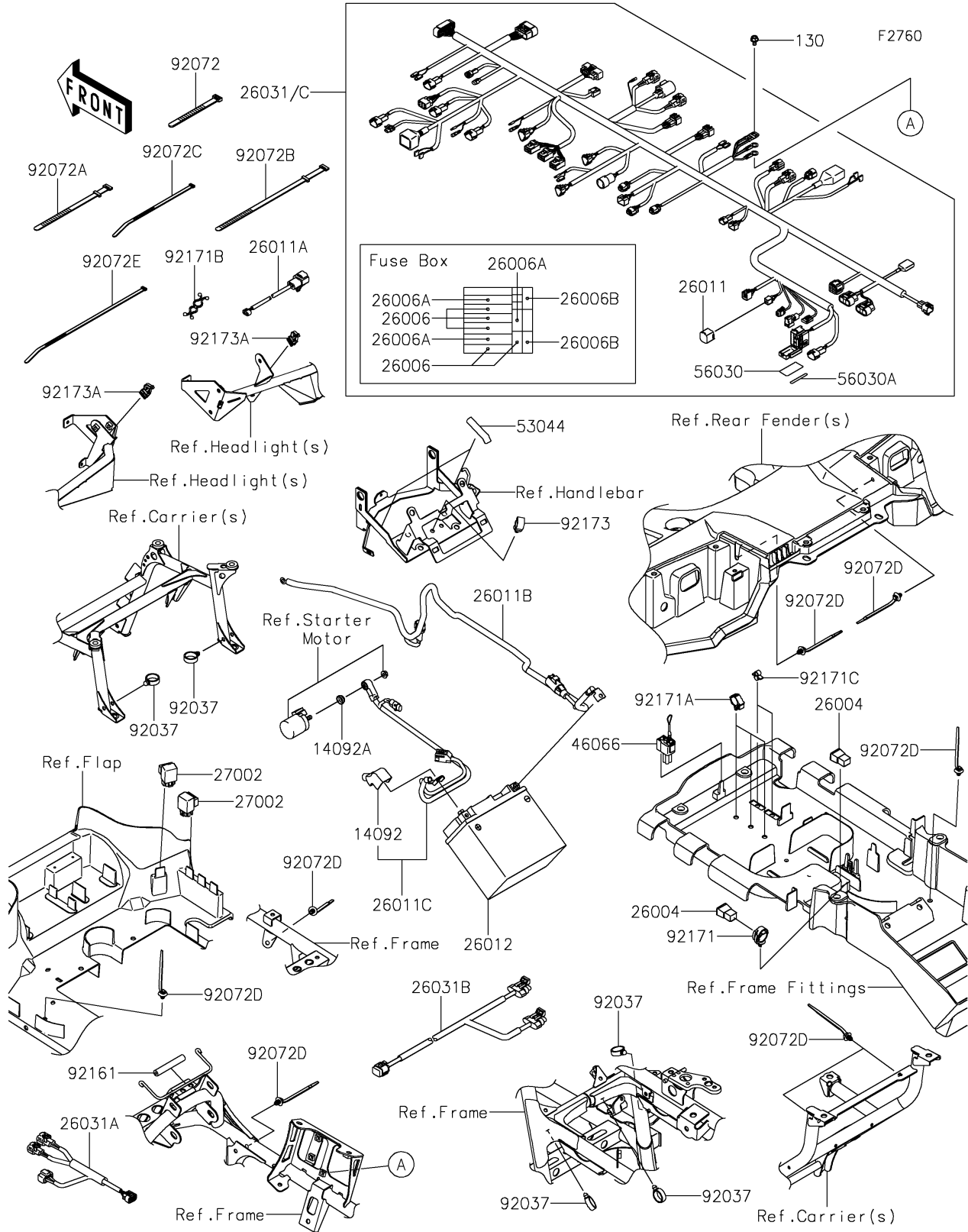


2026 BRUTE FORCE® 750 SE EPS

PARTS DIAGRAM

Chassis Electrical Equipment



2026 BRUTE FORCE[®] 750 SE EPS



PARTS LIST

Chassis Electrical Equipment

ITEM NAME	PART NUMBER	QUANTITY
-----------	-------------	----------
