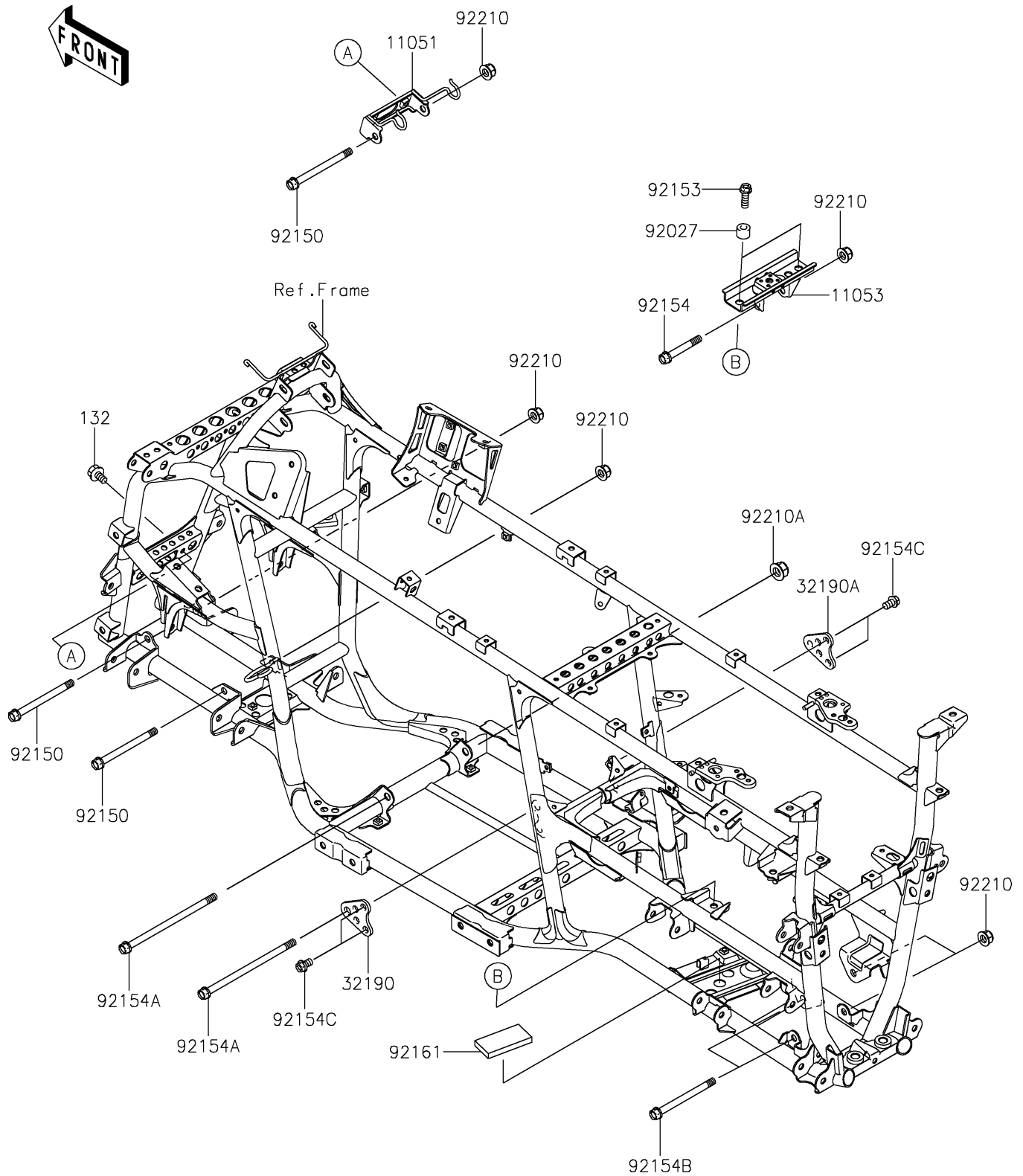


# 2026 BRUTE FORCE® 750 SE EPS

## PARTS DIAGRAM

### Engine Mount

F2122



# 2026 BRUTE FORCE<sup>®</sup> 750 SE EPS

## PARTS LIST Engine Mount

ITEM NAME	PART NUMBER	QUANTITY
-----------	-------------	----------

---