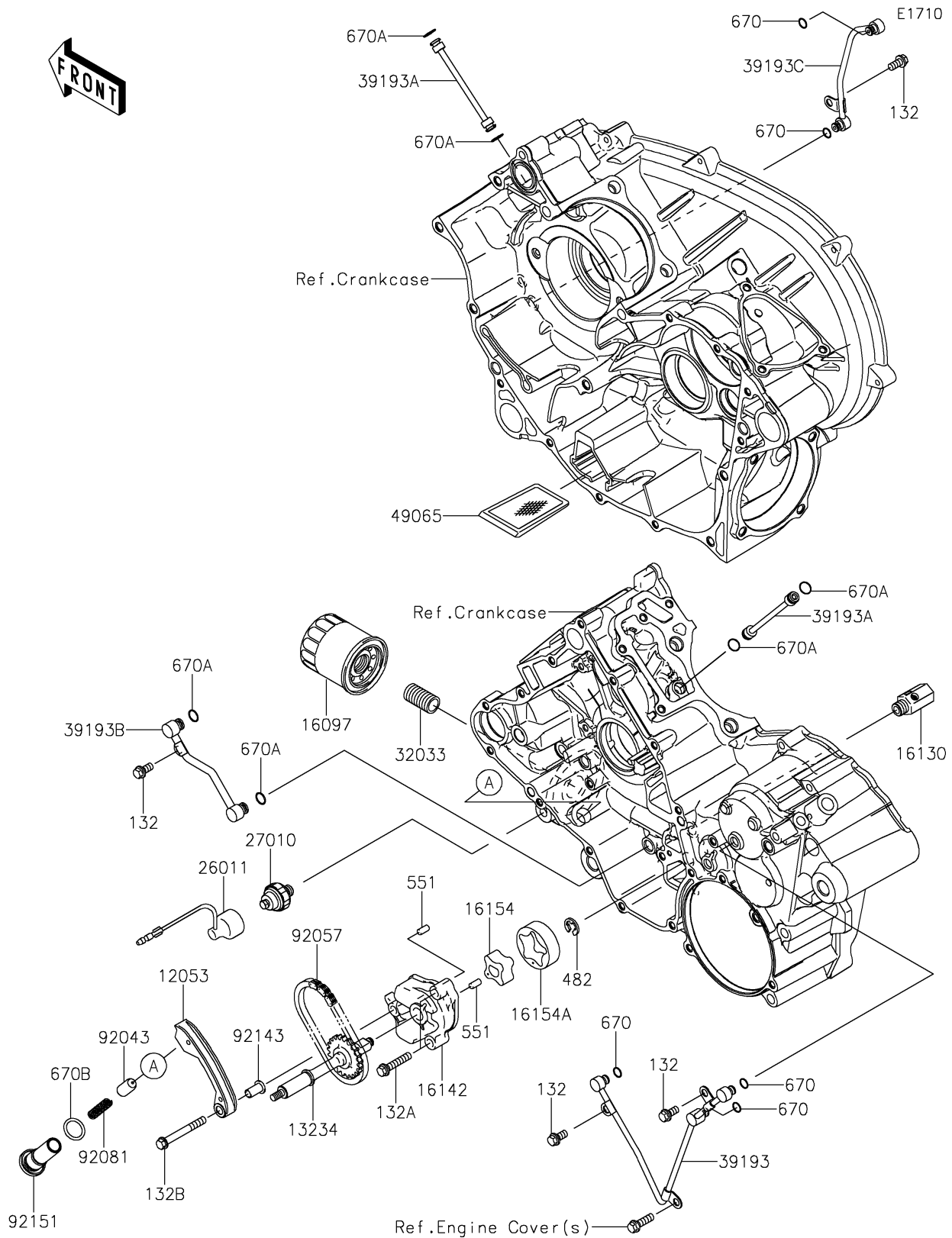


# 2026 BRUTE FORCE® 750 SE EPS

## PARTS DIAGRAM

### Oil Pump/Oil Filter



# 2026 BRUTE FORCE® 750 SE EPS

## PARTS LIST

### Oil Pump/Oil Filter

| ITEM NAME                              | PART NUMBER | QUANTITY |
|--|-------------|----------|
| GUIDE-CHAIN,SLACK (Ref # 12053)        | 12053-1440  | 1        |
| SHAFT-COMP,OIL PUMP (Ref # 13234)      | 13234-1112  | 1        |
| FILTER-ASSY-OIL (Ref # 16097)          | 16097-0007  | 1        |
| VALVE-ASSY-RELIEF (Ref # 16130)        | 16130-1058  | 1        |
| COVER-PUMP (Ref # 16142)               | 16142-1162  | 1        |
| ROTOR-PUMP,INNER (Ref # 16154)         | 16154-2059  | 1        |
| ROTOR-PUMP,OUTER (Ref # 16154A)        | 16154-2060  | 1        |
| WIRE-LEAD (Ref # 26011)                | 26011-1755  | 1        |
| SWITCH,OIL PRESSURE (Ref # 27010)      | 27010-1313  | 1        |
| PIPE,OIL FILTER (Ref # 32033)          | 32033-1535  | 1        |
| PIPE-OIL,CRANKCASE,LH (Ref # 39193)    | 39193-0592  | 1        |
| PIPE-OIL,CRANKCASE-HEAD (Ref # 39193A) | 39193-0594  | 2        |
| PIPE-OIL,CRANKSHAFT (Ref # 39193B)     | 39193-1052  | 1        |
| PIPE-OIL,CRANKCASE,RH (Ref # 39193C)   | 39193-1054  | 1        |
| FILTER-OIL (Ref # 49065)               | 49065-1086  | 1        |
| PIN (Ref # 92043)                      | 92043-076   | 1        |
| CHAIN,DID SCR-0409 SV (Ref # 92057)    | 92057-0188  | 1        |
| SPRING (Ref # 92081)                   | 92081-112   | 1        |
| COLLAR (Ref # 92143)                   | 92143-1857  | 1        |
| BOLT,16X41 (Ref # 92151)               | 92151-1781  | 1        |
| BOLT-FLANGED-SMALL,6X12 (Ref # 132)    | 132BA0612   | 4        |
| BOLT-FLANGED-SMALL,6X30 (Ref # 132A)   | 132BA0630   | 2        |
| BOLT-FLANGED-SMALL,6X50 (Ref # 132B)   | 132BB0650   | 1        |
| CIRCLIP-TYPE-E,6MM (Ref # 482)         | 482J6000    | 1        |
| PIN-DOWEL,4X8 (Ref # 551)              | 551A0408    | 2        |
| O RING (Ref # 670)                     | 670D1505    | 5        |
| O RING,7MM (Ref # 670A)                | 670D1507    | 6        |
| O RING,16MM (Ref # 670B)               | 670D2016    | 1        |