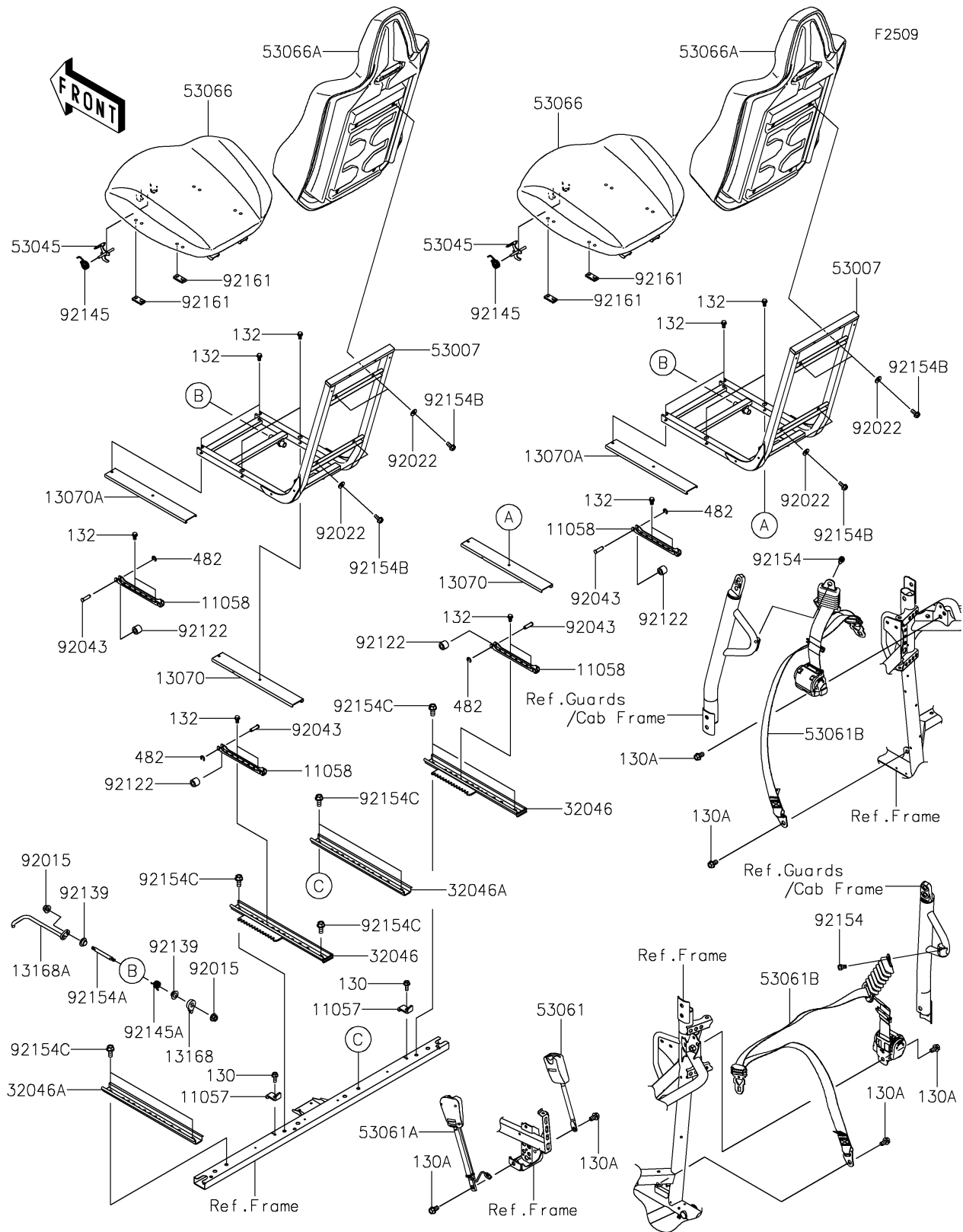


2025 TERYX® KRX4™ 1000 BLACKOUT EDITION

PARTS DIAGRAM

Seat(Front)



2025 TERYX® KRX4™ 1000 BLACKOUT EDITION

Kawasaki
Let the Good Times Roll®

PARTS LIST

Seat(Front)

| ITEM NAME | PART NUMBER | QUANTITY |
|---|----------------|----------|
| BRACKET (Ref # 11057) | 11057-2767 | 2 |
| BRACKET (Ref # 11058) | 11058-2959 | 4 |
| GUIDE,SEAT,RH (Ref # 13070) | 13070-1503 | 2 |
| GUIDE,SEAT,LH (Ref # 13070A) | 13070-1504 | 2 |
| LEVER,STOP (Ref # 13168) | 13168-0883 | 2 |
| LEVER,SEAT ADJUST (Ref # 13168A) | 13168-0884 | 2 |
| BRACKET-SEAT,RAIL,RH (Ref # 32046) | 32046-0507 | 2 |
| BRACKET-SEAT,RAIL,LH (Ref # 32046A) | 32046-0508 | 2 |
| FRAME-SEAT (Ref # 53007) | 53007-0498 | 2 |
| HOOK-ASSY,SEAT BOTTOM (Ref # 53045) | 53045-0039 | 2 |
| BELT-SEAT,BUCKLE,PASSENGER (Ref # 53061) | 53061-0358 | 1 |
| BELT-SEAT,BUCKLE,DRIVER (Ref # 53061A) | 53061-0365 | 1 |
| BELT-SEAT,RETRACTOR (Ref # 53061B) | 53061-0368 | 2 |
| SEAT-ASSY,BOTTOM,BLACK+BLK (Ref # 53066) | 53066-0975-71Q | 2 |
| SEAT-ASSY,BACK,M.D.GRAY+BLK+SI (Ref # 53066A) | 53066-0977-71T | 2 |
| NUT,8MM (Ref # 92015) | 92015-1432 | 4 |
| WASHER,6.5X16X2 (Ref # 92022) | 92022-1565 | 8 |
| PIN (Ref # 92043) | 92043-0991 | 8 |
| ROLLER (Ref # 92122) | 92122-0572 | 8 |
| BUSHING (Ref # 92139) | 92139-0230 | 4 |
| SPRING,SEAT LATCH (Ref # 92145) | 92145-0022 | 2 |
| SPRING,ADJUST LEVER (Ref # 92145A) | 92145-1858 | 2 |
| BOLT,FLANGED,10X16 (Ref # 92154) | 92154-2089 | 2 |
| BOLT,ADJUST LEVER (Ref # 92154A) | 92154-3923 | 2 |
| BOLT,FLANGED,6X14 (Ref # 92154B) | 92154-3968 | 8 |
| BOLT,FLANGED,10X18 (Ref # 92154C) | 92154-7022 | 8 |
| DAMPER,SEAT (Ref # 92161) | 92161-1489 | 8 |
| BOLT-FLANGED,6X16 (Ref # 130) | 130BA0616 | 2 |
| BOLT-FLANGED,12X22 (Ref # 130A) | 130BA1222 | 6 |

2025 TERYX® KRX4™ 1000 BLACKOUT EDITION

Kawasaki
Let the Good Times Roll®

PARTS LIST

Seat(Front)

| ITEM NAME | PART NUMBER | QUANTITY |
|-------------------------------------|-------------|----------|
| BOLT-FLANGED-SMALL,6X10 (Ref # 132) | 132BA0610 | 16 |
| CIRCLIP-TYPE-E,4MM (Ref # 482) | 482J4000 | 8 |