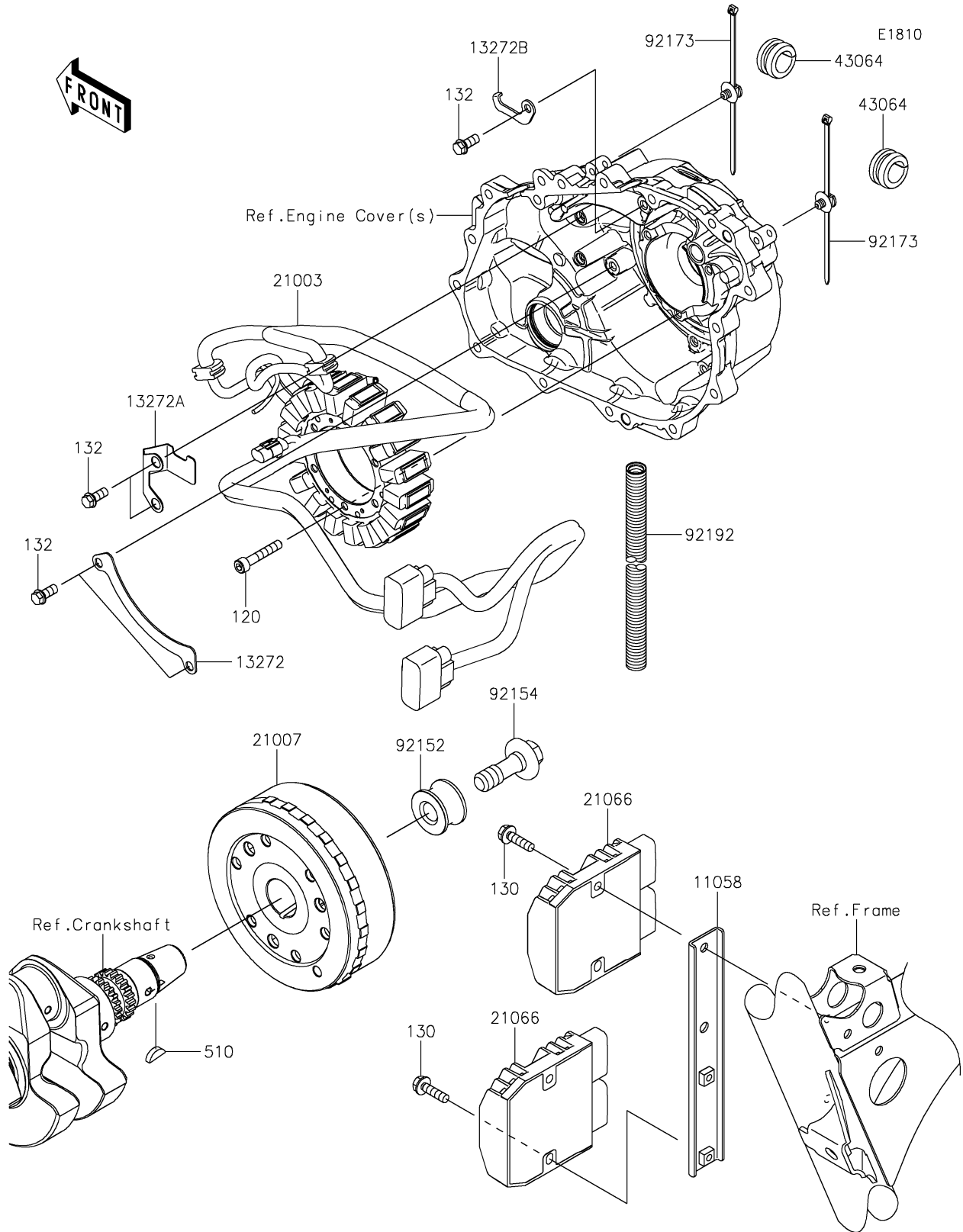


# 2026 TERYX® KRX4™ 1000 BLACKOUT EDITION

**Kawasaki**  
Let the Good Times Roll®

## PARTS DIAGRAM

### Generator



# 2026 TERYX® KRX4™ 1000 BLACKOUT EDITION

**Kawasaki**  
Let the Good Times Roll®

## PARTS LIST

### Generator

| ITEM NAME                                   | PART NUMBER | QUANTITY |
|---|-------------|----------|
| BRACKET (Ref # 11058)                       | 11058-1382  | 1        |
| PLATE,LEAD WIRE (Ref # 13272)               | 13272-4318  | 1        |
| PLATE,LEAD WIRE (Ref # 13272A)              | 13272-7132  | 1        |
| PLATE,LEAD WIRE (Ref # 13272B)              | 13272-7133  | 1        |
| STATOR (Ref # 21003)                        | 21003-0228  | 1        |
| ROTOR (Ref # 21007)                         | 21007-0738  | 1        |
| REGULATOR-VOLTAGE (Ref # 21066)             | 21066-0771  | 2        |
| GROMMET,HOSE CLAMP (Ref # 43064)            | 43064-007   | 2        |
| COLLAR (Ref # 92152)                        | 92152-3816  | 1        |
| BOLT (Ref # 92154)                          | 92154-7265  | 1        |
| CLAMP (Ref # 92173)                         | 92173-2792  | 2        |
| TUBE,CONVOLUTED,10.7X14.1X140 (Ref # 92192) | 92192-2521  | 1        |
| BOLT-SOCKET,6X35 (Ref # 120)                | 120CA0635   | 3        |
| BOLT-FLANGED,6X22 (Ref # 130)               | 130BA0622   | 4        |
| BOLT-FLANGED-SMALL,6X14 (Ref # 132)         | 132BA0614   | 5        |
| KEY-WOODRUFF (Ref # 510)                    | 510A4200    | 1        |