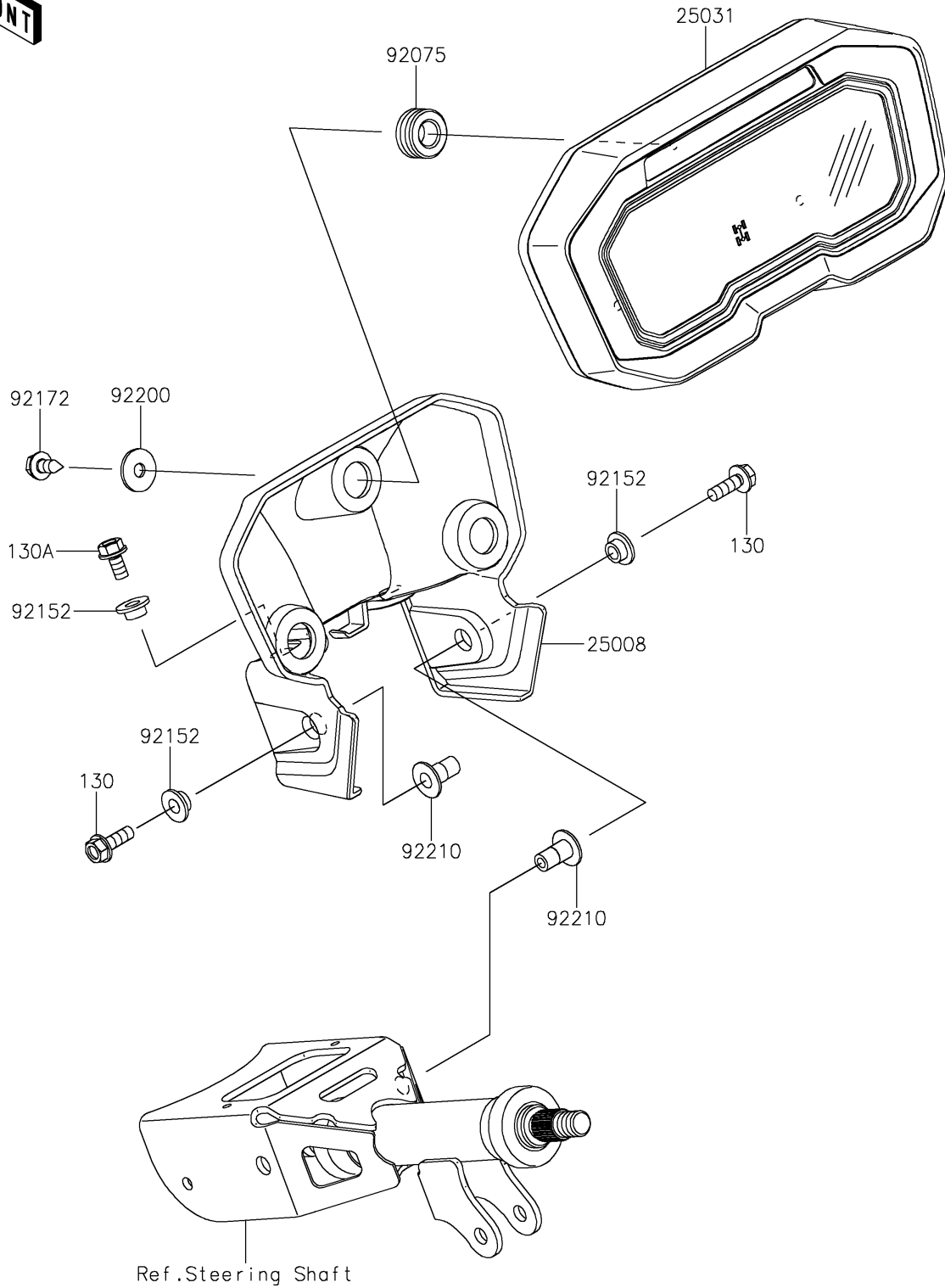


# 2026 TERYX KRX® 1000 BLACKOUT EDITION

## PARTS DIAGRAM

Meter(s)

F2530



# 2026 TERYX KRX<sup>®</sup> 1000 BLACKOUT EDITION



## PARTS LIST

Meter(s)

ITEM NAME	PART NUMBER	QUANTITY
-----------	-------------	----------

---