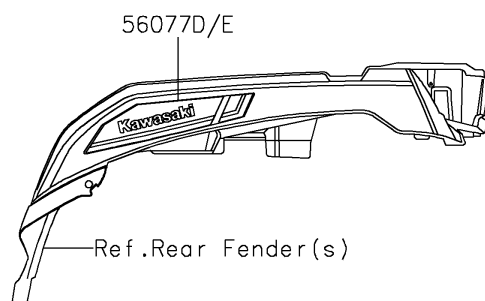
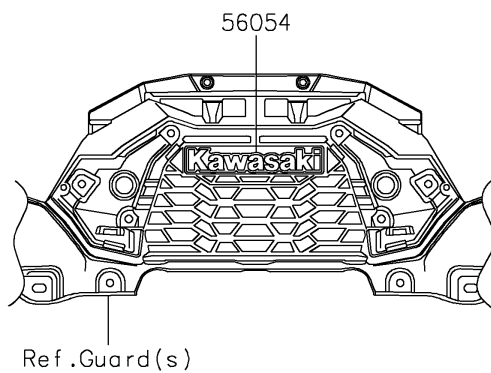
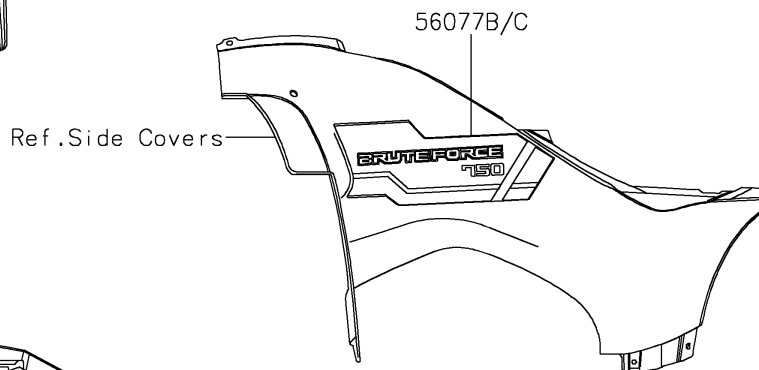
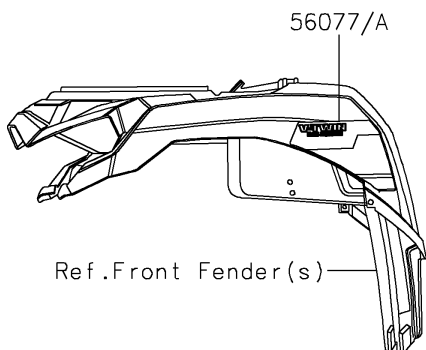
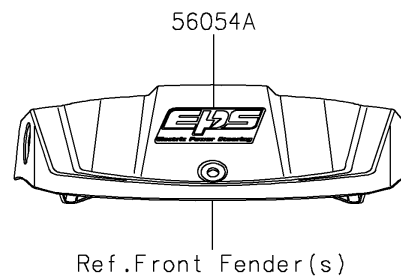
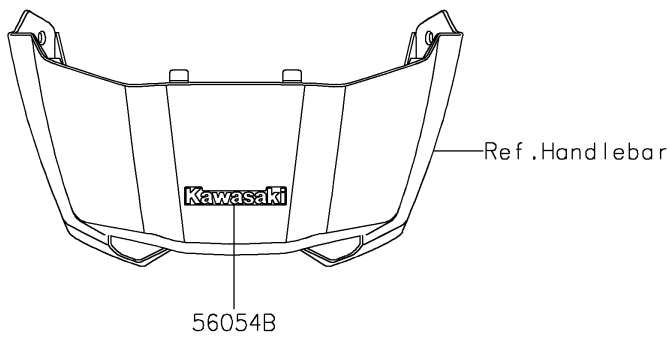


# 2026 BRUTE FORCE® 750 EPS

## PARTS DIAGRAM

### Decals(NRFNN/NSFNN)

F2861



# 2026 BRUTE FORCE<sup>®</sup> 750 EPS

## PARTS LIST

Decals(NRFNN/NSFNN)

**ITEM NAME**

**PART NUMBER**

**QUANTITY**

---