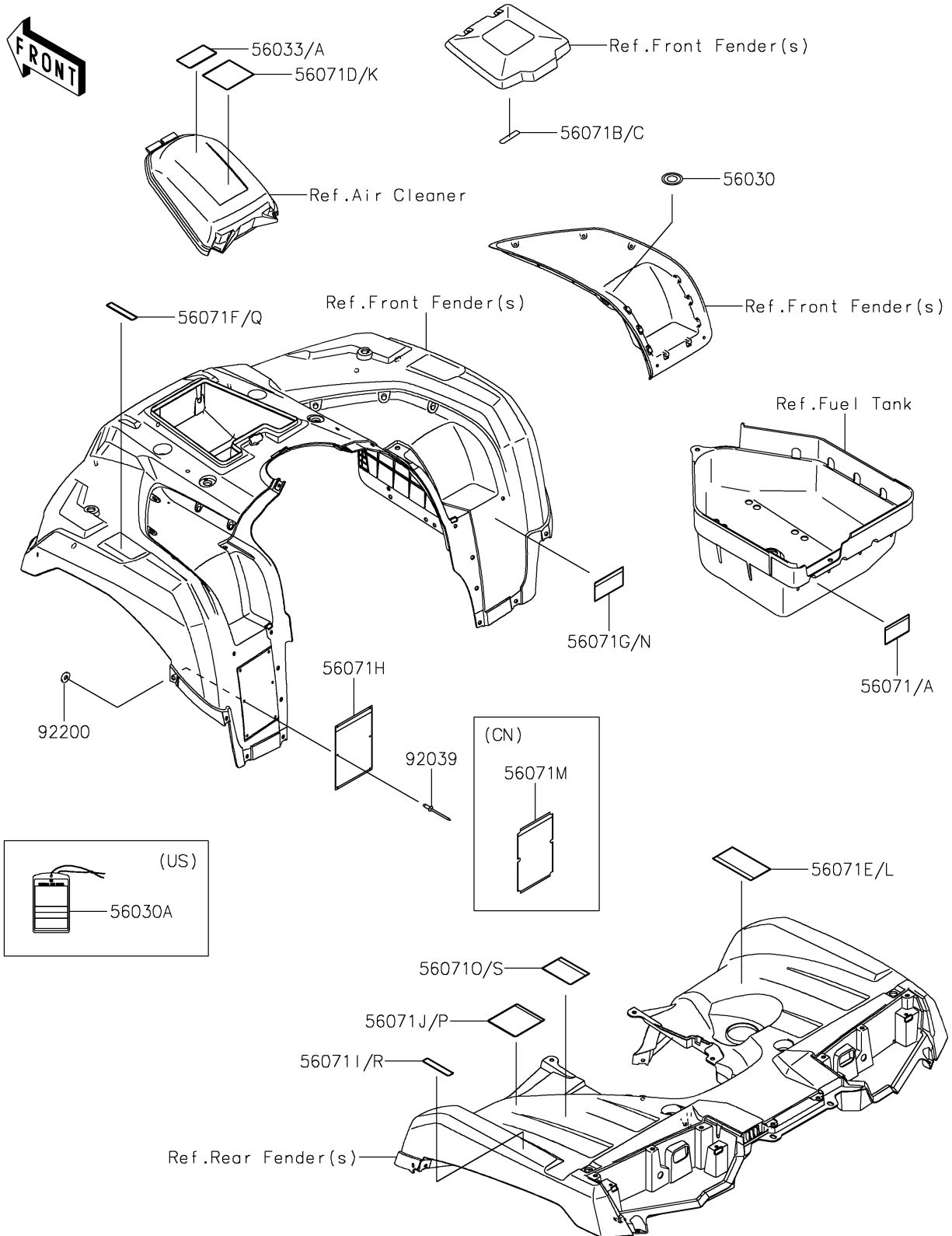


# 2024 BRUTE FORCE® 750 EPS

## PARTS DIAGRAM

### Labels

F2860



# 2024 BRUTE FORCE<sup>®</sup> 750 EPS

## PARTS LIST

### Labels



**ITEM NAME**

**PART NUMBER**

**QUANTITY**

---