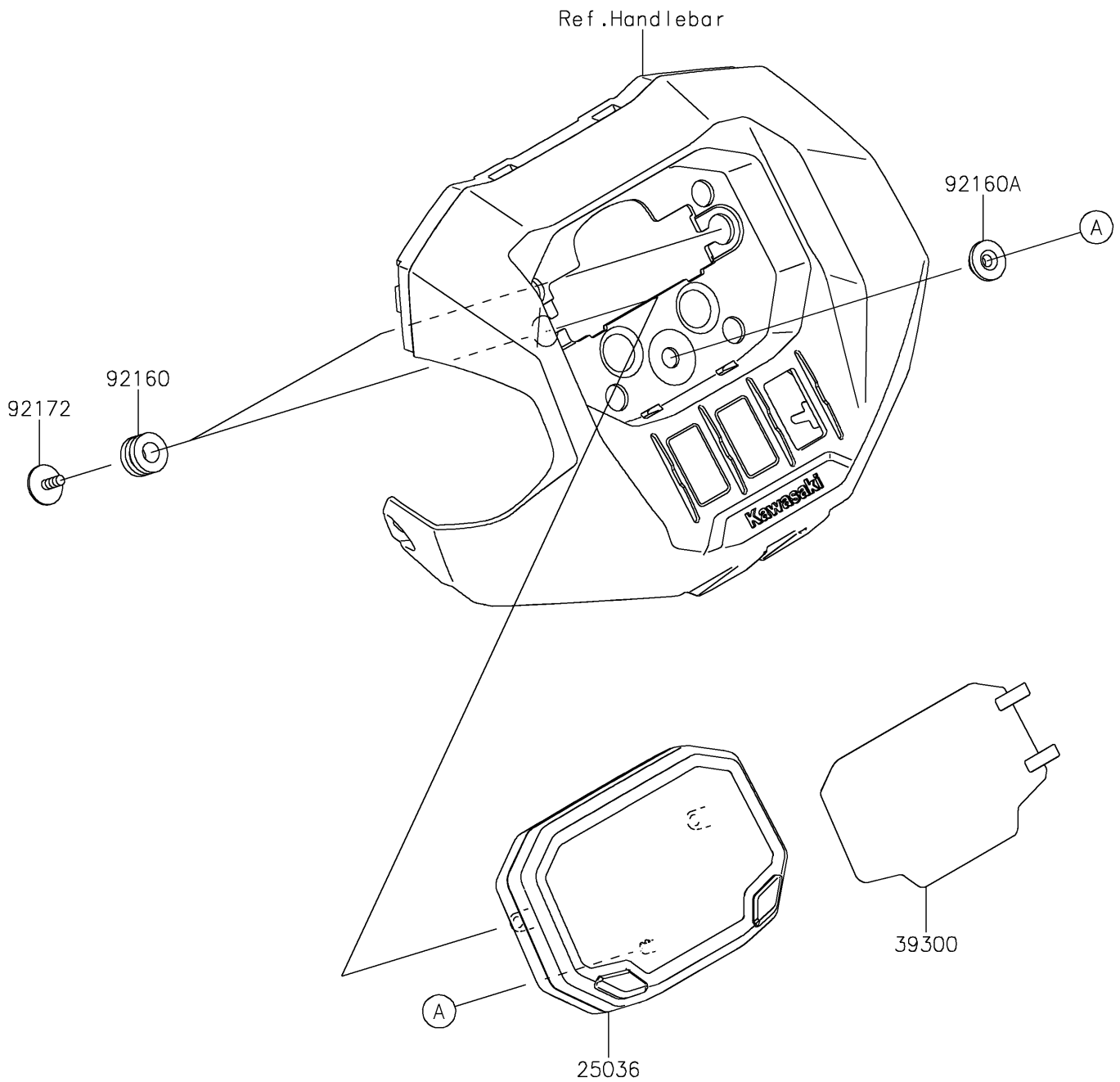


2026 BRUTE FORCE® 750 EPS

PARTS DIAGRAM

Meter(s)

F2530



2026 BRUTE FORCE[®] 750 EPS

PARTS LIST

Meter(s)

ITEM NAME	PART NUMBER	QUANTITY
-----------	-------------	----------
