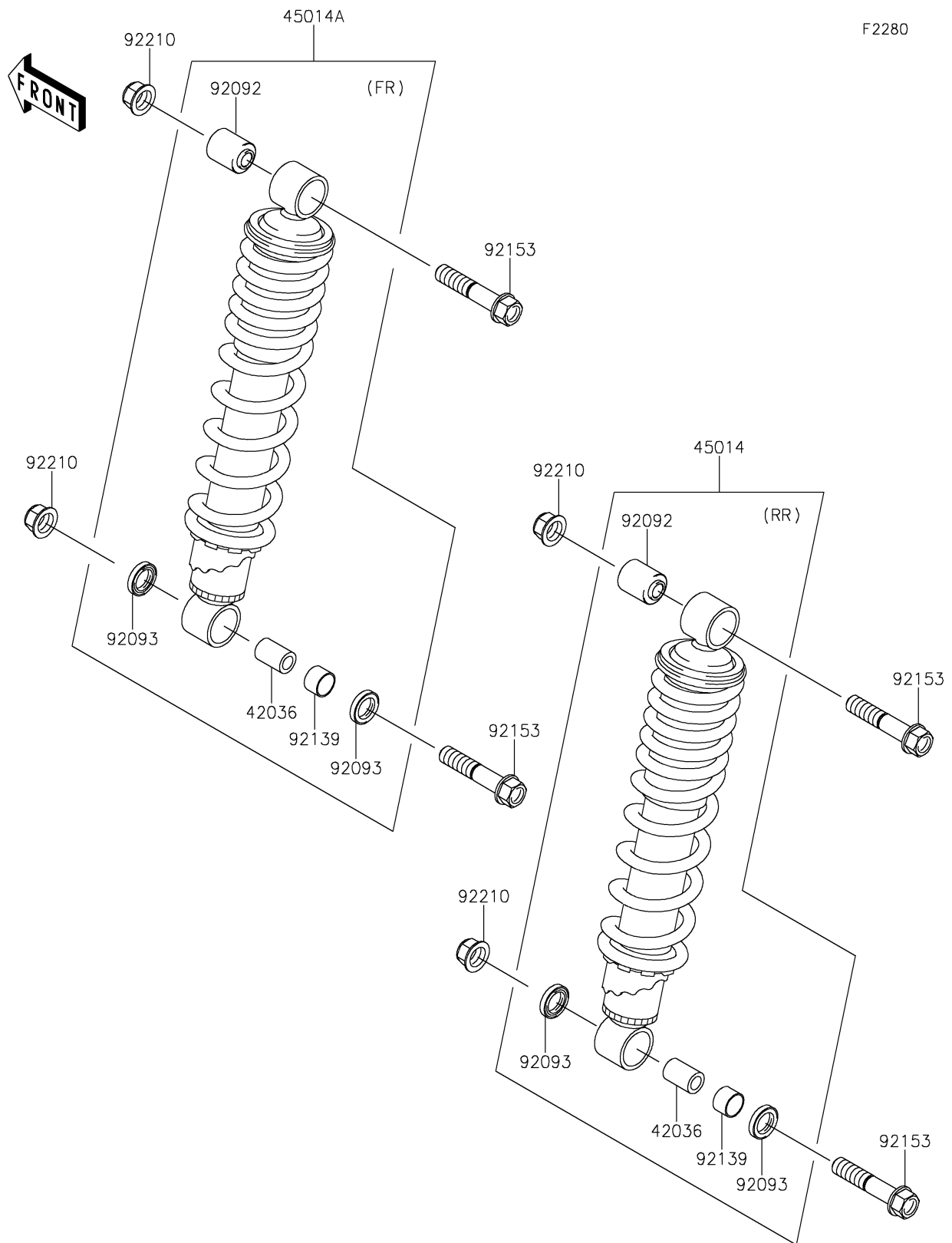


# 2026 BRUTE FORCE® 750 EPS

## PARTS DIAGRAM

### Shock Absorber(s)



# 2026 BRUTE FORCE<sup>®</sup> 750 EPS

## PARTS LIST

### Shock Absorber(s)

ITEM NAME	PART NUMBER	QUANTITY
-----------	-------------	----------

---