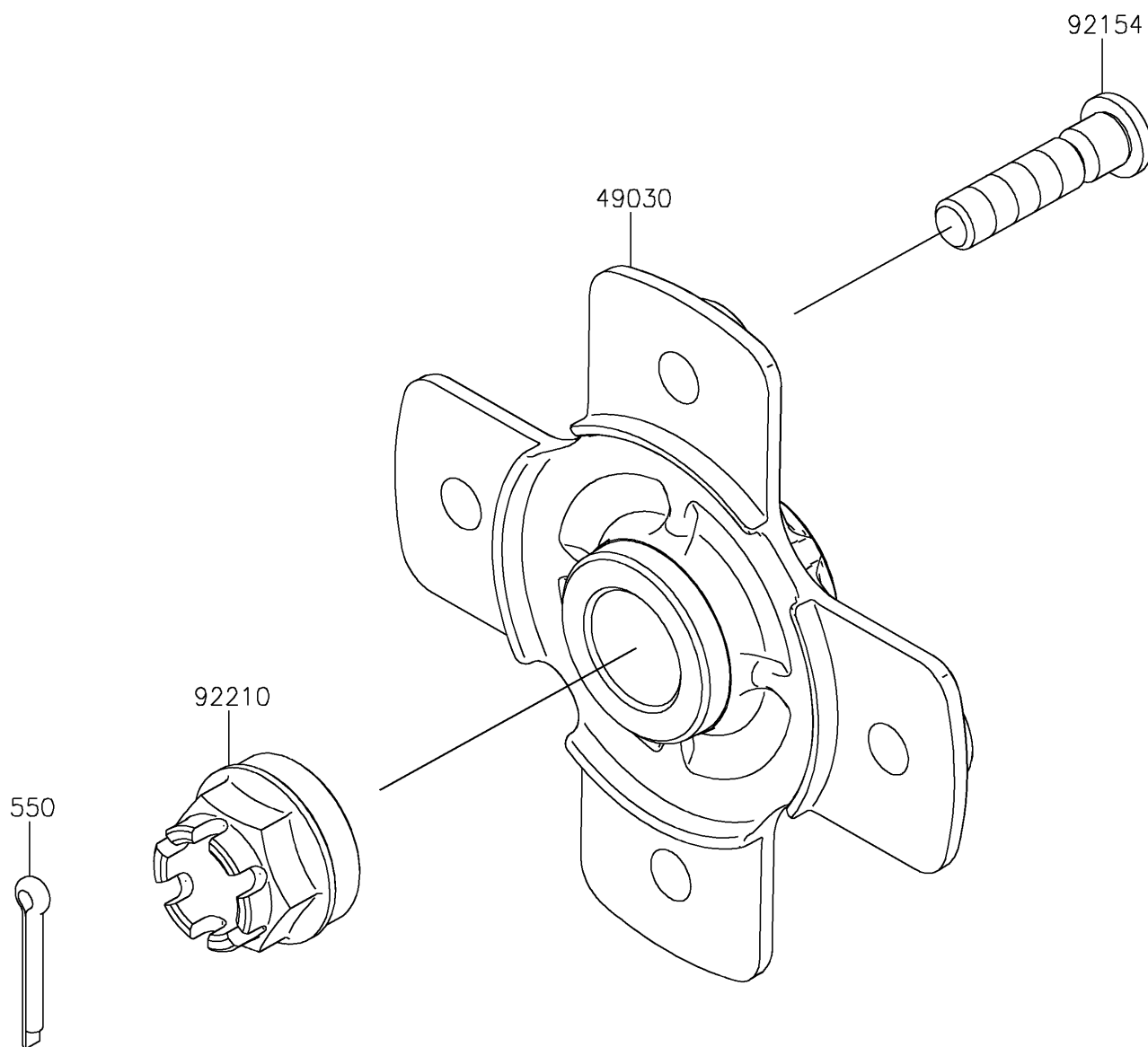


# 2026 BRUTE FORCE® 750 EPS

## PARTS DIAGRAM

### Rear Hub

F2240



# 2026 BRUTE FORCE<sup>®</sup> 750 EPS

## PARTS LIST

### Rear Hub

ITEM NAME	PART NUMBER	QUANTITY
-----------	-------------	----------

---