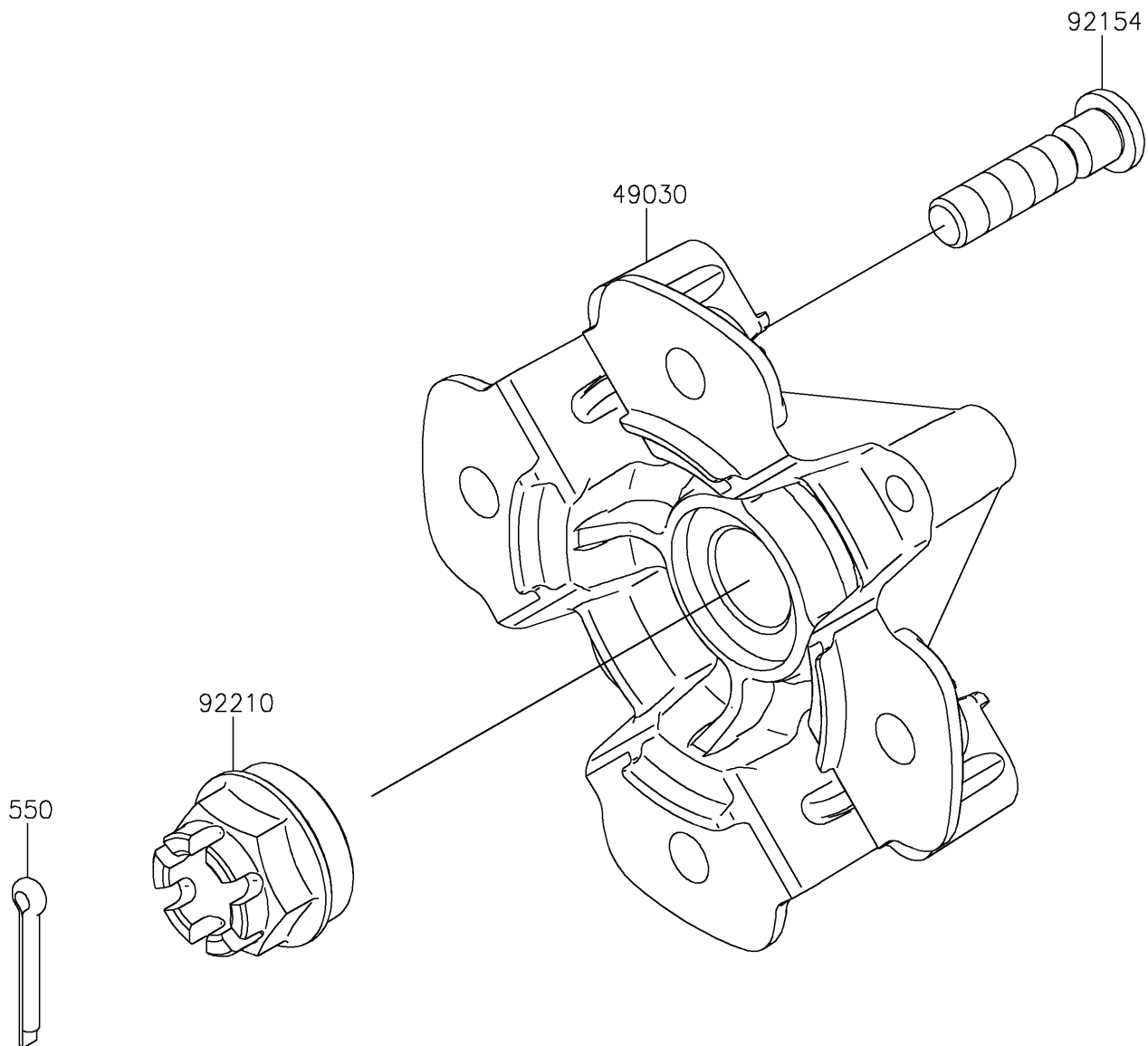


# 2024 BRUTE FORCE® 750 EPS

## PARTS DIAGRAM

### Front Hub

F2230



# 2024 BRUTE FORCE® 750 EPS

## PARTS LIST

### Front Hub

ITEM NAME	PART NUMBER	QUANTITY
-----------	-------------	----------

---