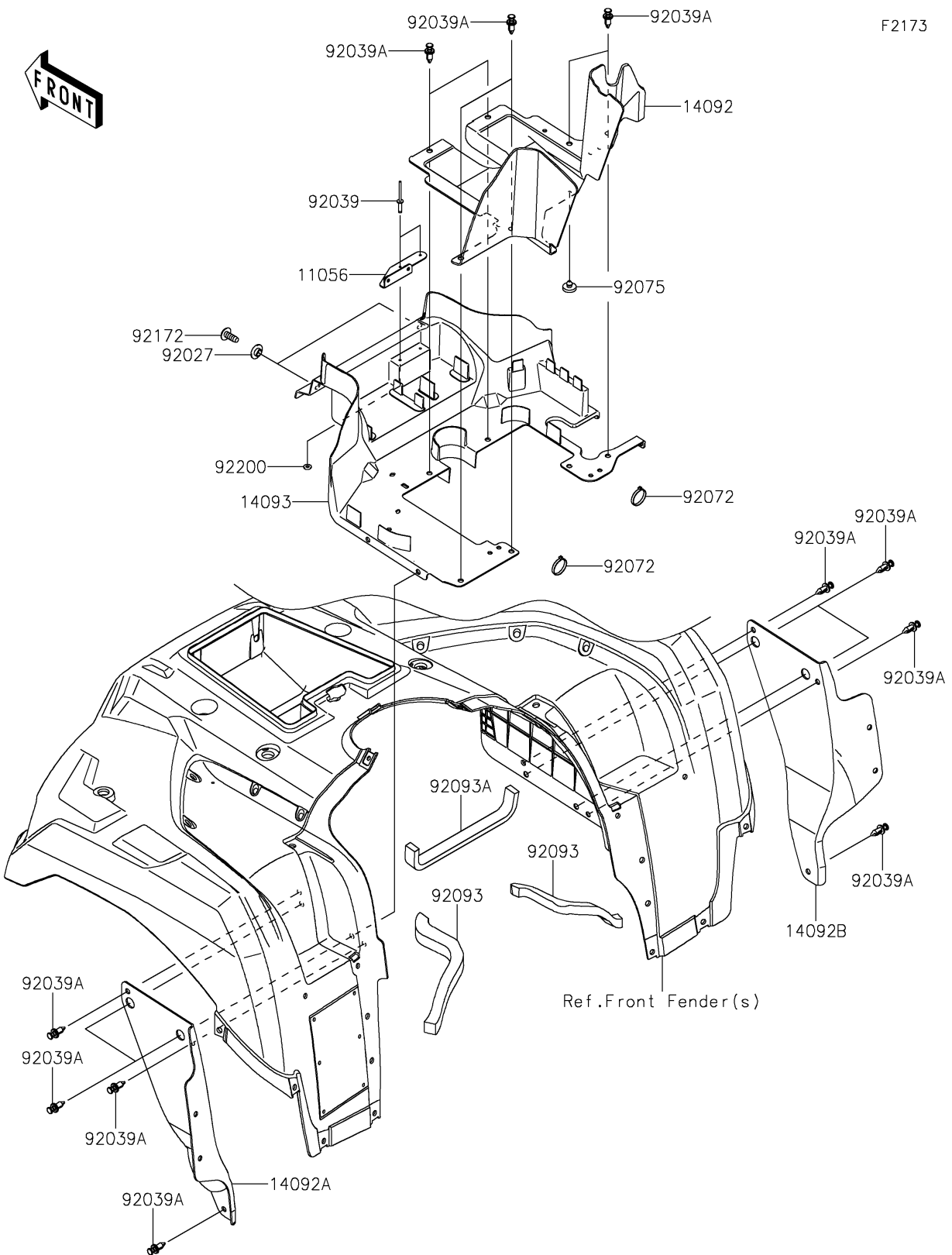


# 2024 BRUTE FORCE® 750 EPS

## PARTS DIAGRAM

### Flap



# 2024 BRUTE FORCE<sup>®</sup> 750 EPS



## PARTS LIST

Flap

ITEM NAME	PART NUMBER	QUANTITY
-----------	-------------	----------