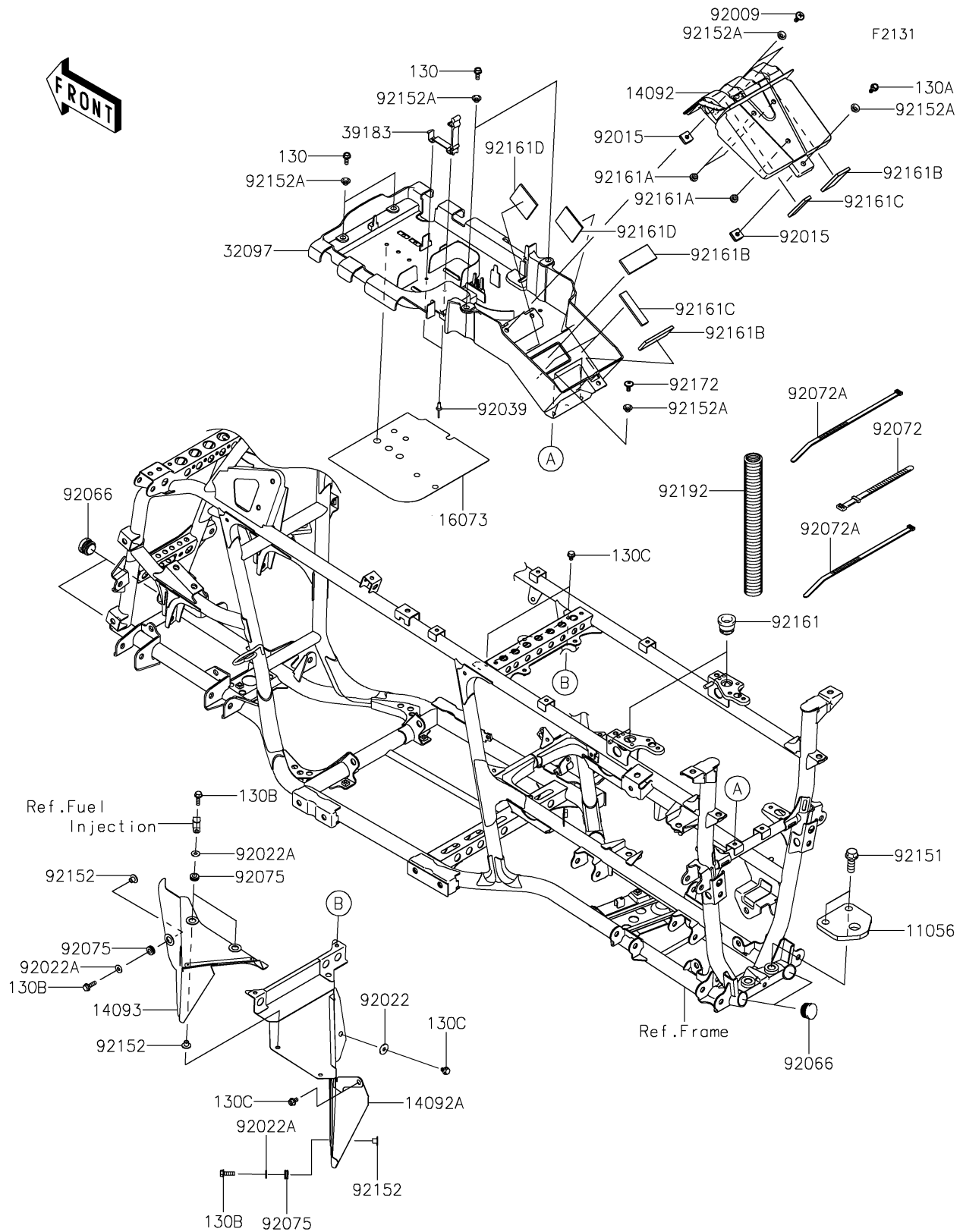


2026 BRUTE FORCE® 750 EPS

PARTS DIAGRAM

Frame Fittings



2026 BRUTE FORCE® 750 EPS

PARTS LIST

Frame Fittings

| ITEM NAME | PART NUMBER | QUANTITY |
|--|-------------|----------|
| BRACKET,TRAILER HITCH (Ref # 11056) | 11056-0299 | 1 |
| COVER,BATTERY (Ref # 14092) | 14092-0189 | 1 |
| COVER,HEAT GUARD,FR (Ref # 14092A) | 14092-0897 | 1 |
| COVER,HEAT GUARD (Ref # 14093) | 14093-0021 | 1 |
| INSULATOR,BATTERY CASE (Ref # 16073) | 16073-0809 | 1 |
| CASE-BATTERY (Ref # 32097) | 32097-0577 | 1 |
| BAND-ASSY,TOOL BAG (Ref # 39183) | 39183-1065 | 1 |
| SCREW,6X20 (Ref # 92009) | 92009-1289 | 2 |
| NUT,6MM (Ref # 92015) | 92015-1094 | 3 |
| WASHER,6.5X20X1.6 (Ref # 92022) | 92022-1804 | 1 |
| WASHER,6.2X15X1.2 (Ref # 92022A) | 92022-2373 | 4 |
| RIVET,4.8MM (Ref # 92039) | 92039-3719 | 2 |
| PLUG (Ref # 92066) | 92066-0036 | 4 |
| BAND,L=186 (Ref # 92072) | 92072-056 | 1 |
| BAND,L=292.1 (Ref # 92072A) | 92072-3509 | 2 |
| DAMPER (Ref # 92075) | 92075-2097 | 4 |
| BOLT,FLANGED,12X35 (Ref # 92151) | 92151-1903 | 2 |
| COLLAR,6.3X8.3X9.2 (Ref # 92152) | 92152-0237 | 4 |
| COLLAR,6.3X8.3X7.2 (Ref # 92152A) | 92152-1865 | 9 |
| DAMPER (Ref # 92161) | 92161-0048 | 2 |
| DAMPER (Ref # 92161A) | 92161-1084 | 3 |
| DAMPER,30X70X5 (Ref # 92161B) | 92161-1127 | 3 |
| DAMPER,15X70X5 (Ref # 92161C) | 92161-1380 | 3 |
| DAMPER,50X50X3 (Ref # 92161D) | 92161-1386 | 2 |
| SCREW,6X14 (Ref # 92172) | 92172-0401 | 2 |
| TUBE,CORRUGATED,25.5X32.25X300 (Ref # 92192) | 92192-1042 | 1 |
| BOLT-FLANGED,6X16 (Ref # 130) | 130BA0616 | 4 |
| BOLT-FLANGED,6X18 (Ref # 130A) | 130BA0618 | 1 |
| BOLT-FLANGED,6X20 (Ref # 130B) | 130BA0620 | 4 |

2026 BRUTE FORCE[®] 750 EPS

PARTS LIST

Frame Fittings



| ITEM NAME | PART NUMBER | QUANTITY |
|--------------------------------|-------------|----------|
| BOLT-FLANGED,6X10 (Ref # 130C) | 130BD0610 | 4 |