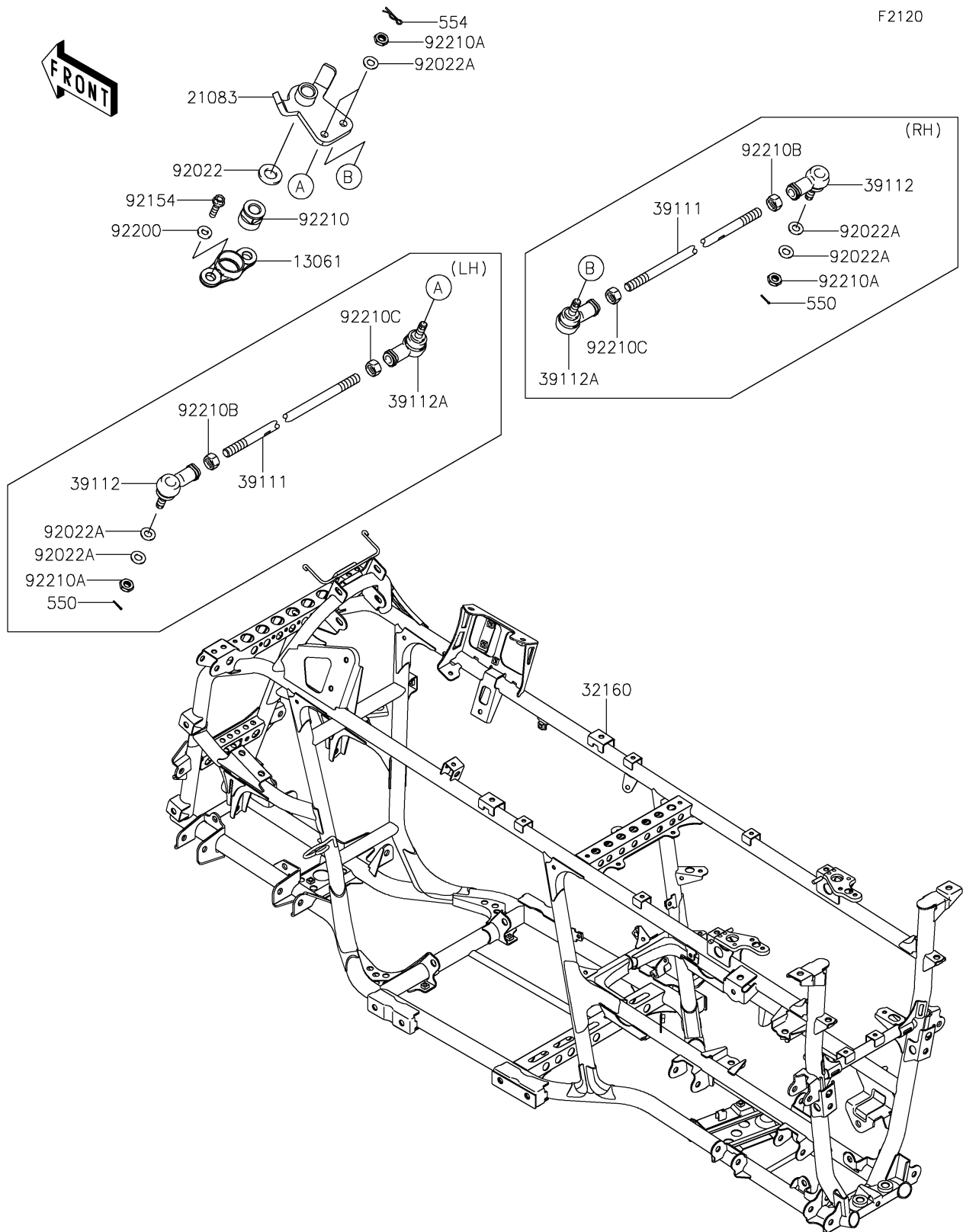


# 2025 BRUTE FORCE® 750 EPS

## PARTS DIAGRAM

### Frame



# 2025 BRUTE FORCE® 750 EPS

## PARTS LIST

### Frame

ITEM NAME	PART NUMBER	QUANTITY
BOSS,EPS STOPPER (Ref # 13061)	13061-0611	1
ARM,PITMAN (Ref # 21083)	21083-0053	1
FRAME-COMP (Ref # 32160)	32160-0712	1
ROD-TIE (Ref # 39111)	39111-0023	2
RODEND-TIE,RIGHT HANDED (Ref # 39112)	39112-0009	2
RODEND-TIE,LEFT HANDED (Ref # 39112A)	39112-0010	2
WASHER,16X32X3.2 (Ref # 92022)	92022-1701	1
WASHER,10.2X20X1.5 (Ref # 92022A)	92022-3742	6
BOLT,FLANGED,8X30 (Ref # 92154)	92154-0850	2
WASHER,8.2X20.0X2.5 (Ref # 92200)	92200-0205	2
NUT,16MM (Ref # 92210)	92210-0751	1
NUT,LOCK,10MM (Ref # 92210A)	92210-1184	4
NUT,RIGHT HANDED (Ref # 92210B)	92210-1385	2
NUT,LEFT HANDED (Ref # 92210C)	92210-1386	2
PIN-COTTER,2.0X15 (Ref # 550)	550AA2015	2
PIN-SNAP,10MM (Ref # 554)	554DA1000	2