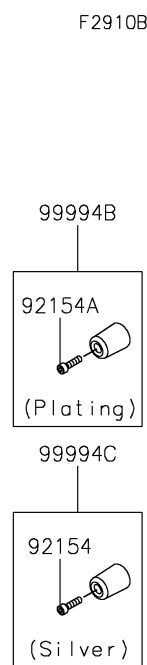
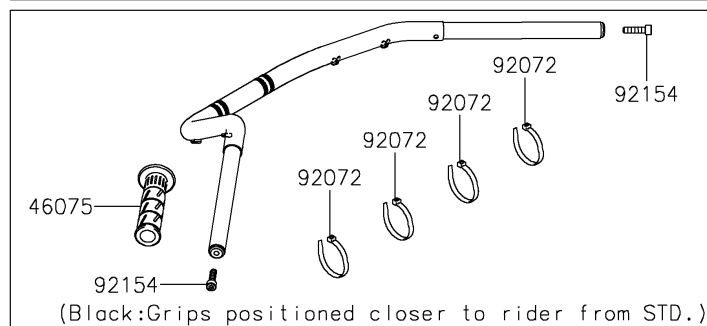
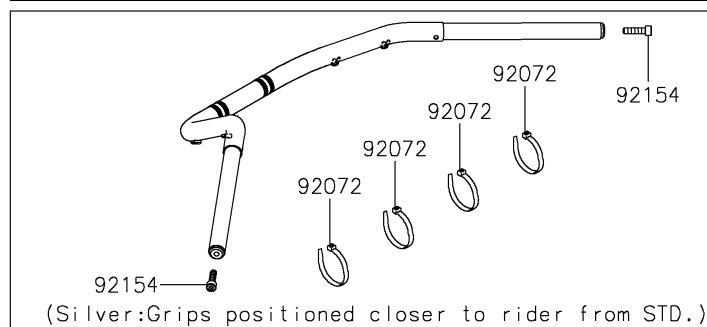
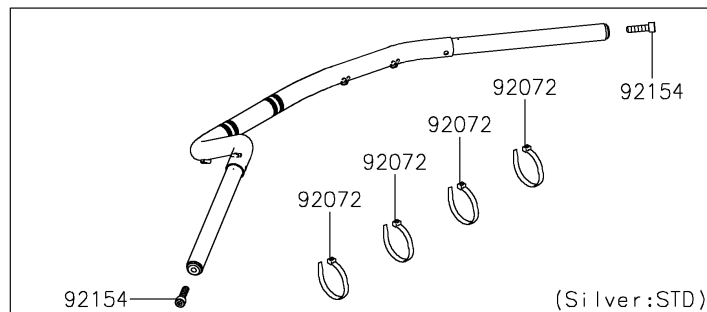
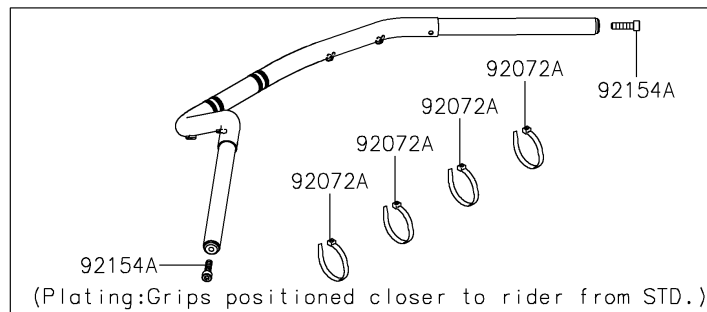
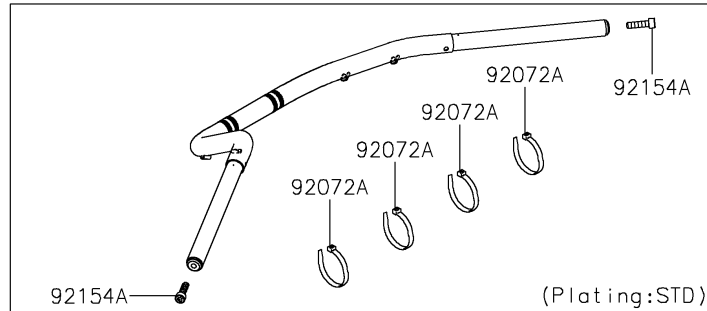


# 2025 Vulcan S CAFÉ

## PARTS DIAGRAM

### Accessory(Handlebar)



# 2025 Vulcan S CAFÉ

## PARTS LIST

Accessory(Handlebar)

**ITEM NAME**

**PART NUMBER**

**QUANTITY**

---