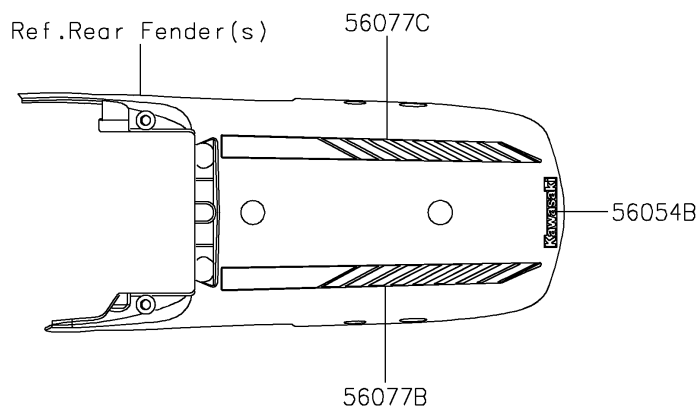
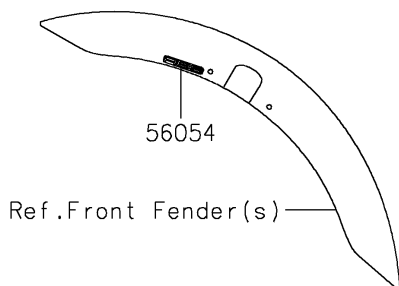
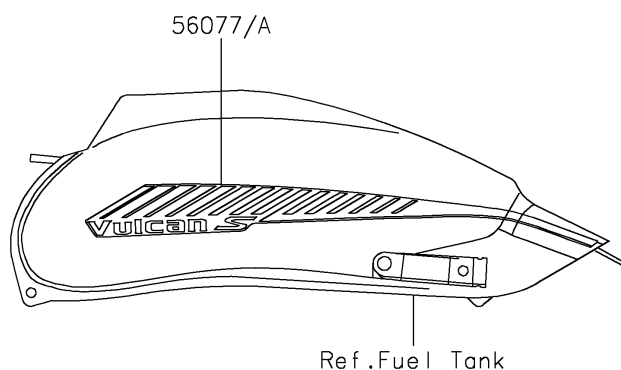
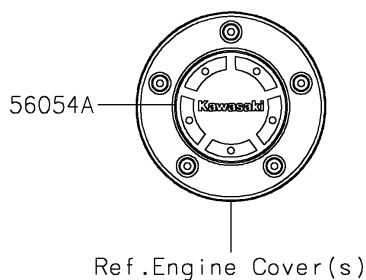


# 2026 VULCAN® S CAFE ABS

## PARTS DIAGRAM

### Decals(ETFNN-EVFNL)

F2861B



# 2026 VULCAN® S CAFE ABS

## PARTS LIST

### Decals(ETFNN-EVFNL)

ITEM NAME	PART NUMBER	QUANTITY
MARK,ABS (Ref # 56054)	56054-1412	2
MARK,CLUTCH COVER,KAWASAKI (Ref # 56054A)	56054-1728	1
MARK,RR FENDER,KAWASAKI (Ref # 56054B)	56054-7012	1
PATTERN,FUEL TANK,LH (Ref # 56077)	56077-4216	1
PATTERN,FUEL TANK,RH (Ref # 56077A)	56077-4217	1
PATTERN,RR FENDER,LH (Ref # 56077B)	56077-4218	1
PATTERN,RR FENDER,RH (Ref # 56077C)	56077-4219	1