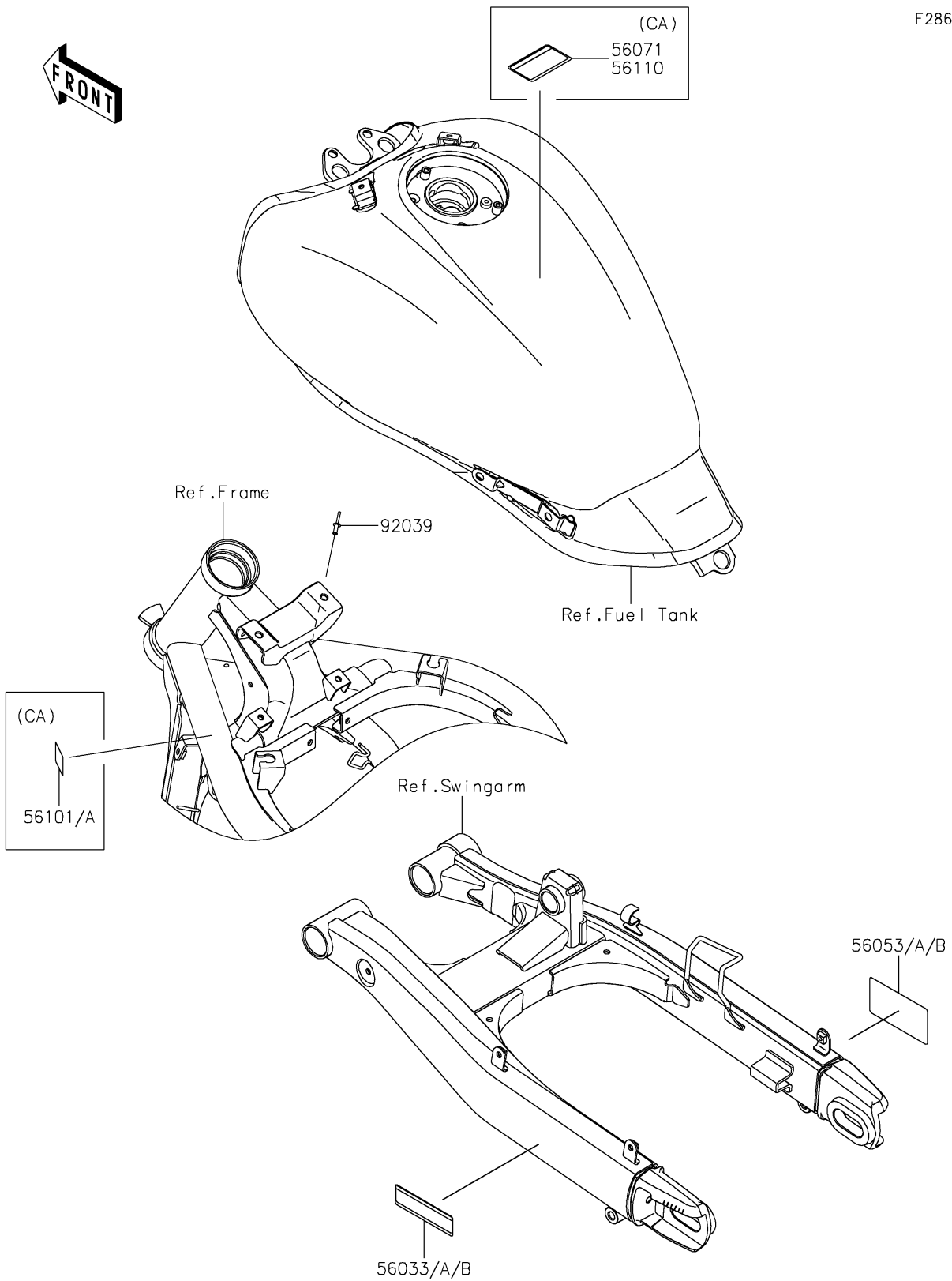


2026 VULCAN® S CAFE ABS

PARTS DIAGRAM

Labels

F2860



2026 VULCAN® S CAFE ABS

PARTS LIST

Labels

ITEM NAME	PART NUMBER	QUANTITY
LABEL-MANUAL,CHAIN (Ref # 56033)	56033-0911	1
LABEL-MANUAL,CHAIN (Ref # 56033A)	56033-0912	1
LABEL-SPECIFICATION,TIRE&LOAD (Ref # 56053)	56053-1381	1
LABEL-SPECIFICATION,TIRE&LOAD (Ref # 56053A)	56053-1382	1
LABEL-WARNING,EVAPO (Ref # 56071)	56071-0158	1
LABEL-CERTIFICATION,EVAPO (Ref # 56101)	56101-0512	1
RIVET (Ref # 92039)	92039-0759	1