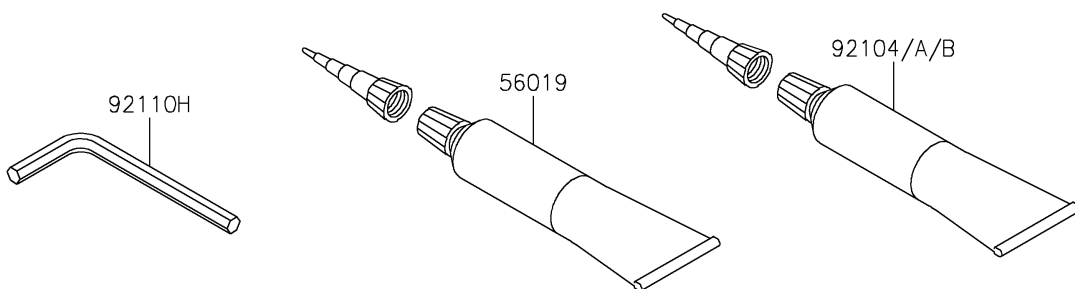
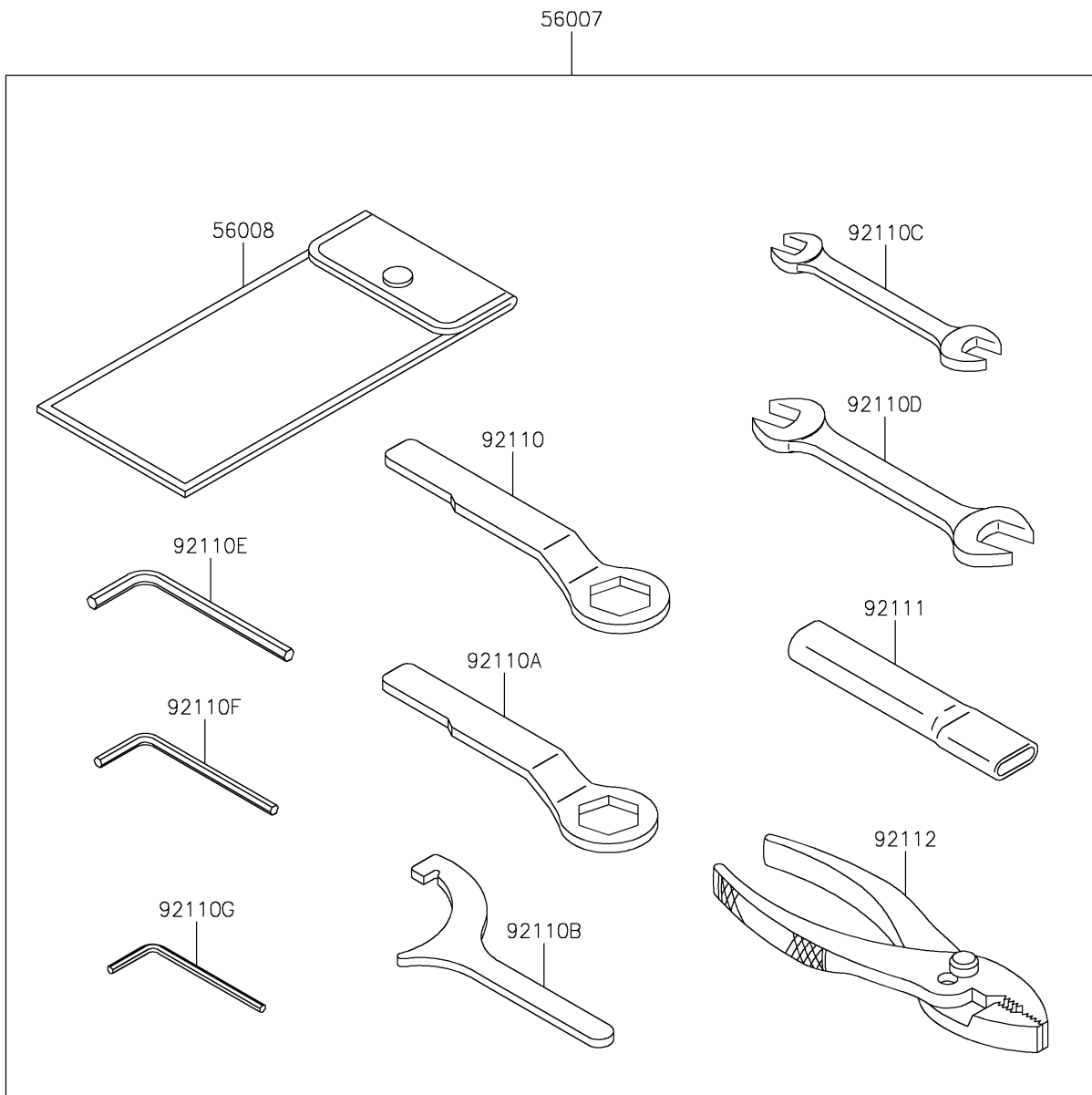


2026 VULCAN® S CAFE ABS

PARTS DIAGRAM

Owner's Tools

F2810



2026 VULCAN[®] S CAFE ABS

PARTS LIST

Owner's Tools



ITEM NAME

PART NUMBER

QUANTITY
