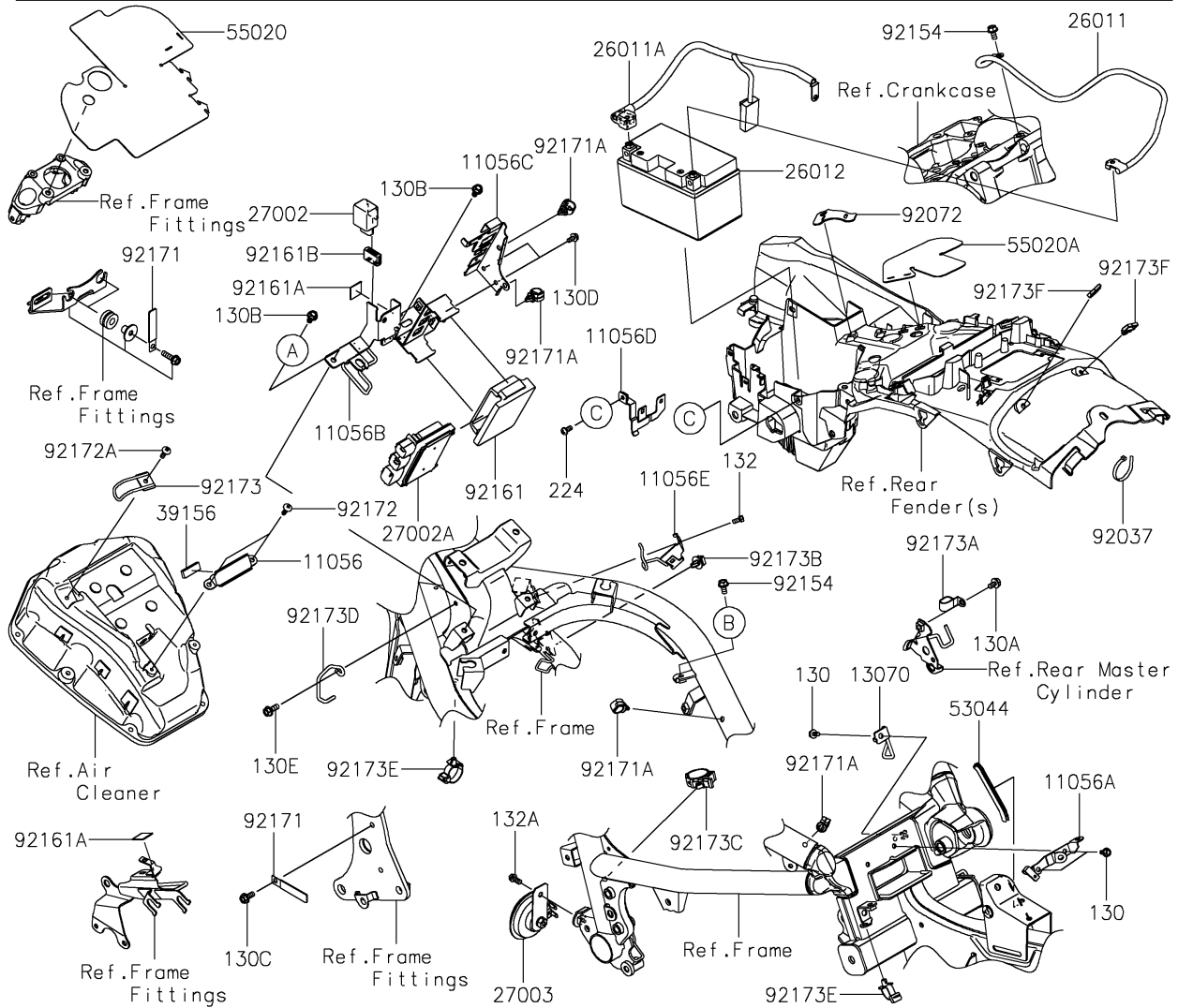
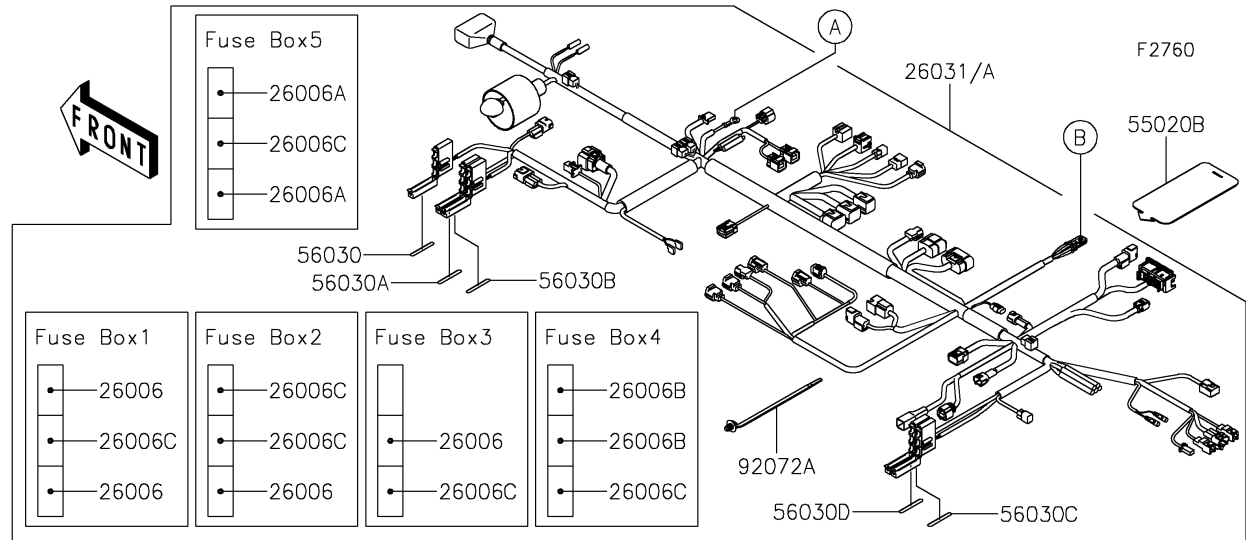


# 2025 Vulcan S CAFÉ

## PARTS DIAGRAM

### Chassis Electrical Equipment



# 2025 Vulcan S CAFÉ

## PARTS LIST

### Chassis Electrical Equipment

ITEM NAME	PART NUMBER	QUANTITY
BRACKET,ECU (Ref # 11056)	11056-4283	1
BRACKET,CNT FRAME (Ref # 11056A)	11056-4284	1
BRACKET,RELAY-ASSY (Ref # 11056B)	11056-4287	1
BRACKET,CONNECTOR,IG. SW.,ETC. (Ref # 11056C)	11056-4293	1
BRACKET,CONNECTOR,ABS (Ref # 11056D)	11056-4295	1
BRACKET,CONNECTOR,SENSOR (Ref # 11056E)	11056-4315	1
GUIDE,HARNESS (Ref # 13070)	13070-0800	1
FUSE,MINI BLADE,15A,BLUE (Ref # 26006)	26006-0001	4
FUSE,MINI BLADE,25A,NATURAL (Ref # 26006A)	26006-0020	2
FUSE,MINI BLADE,5A,TAN (Ref # 26006B)	26006-1077	2
FUSE,MINI BLADE,10A,RED (Ref # 26006C)	26006-1078	6
WIRE-LEAD,BATTERY(-) (Ref # 26011)	26011-0711	1
WIRE-LEAD,BATTERY(+) (Ref # 26011A)	26011-0870	1
BATTERY,YTZ10,12V 8.6AH (Ref # 26012)	26012-1606	1
HARNESS,MAIN (Ref # 26031)	26031-2305	1
HARNESS,MAIN (Ref # 26031A)	26031-2307	1
RELAY-ASSY,SIGNAL LAMP (Ref # 27002)	27002-0006	1
RELAY-ASSY (Ref # 27002A)	27002-0050	1
HORN (Ref # 27003)	27003-0111	1
PAD,10X30X4 (Ref # 39156)	39156-0927	1
TRIM,L=85 (Ref # 53044)	53044-0556	1
GUARD,IG. SWITCH (Ref # 55020)	55020-1833	1
GUARD,MG. SWITCH (Ref # 55020A)	55020-1834	1
GUARD,HARNESS (Ref # 55020B)	55020-2194	1
LABEL,FUSE BOX1 (Ref # 56030)	56030-0884	1
LABEL,FUSE BOX2 (Ref # 56030A)	56030-0885	1
LABEL,FUSE BOX3 (Ref # 56030B)	56030-0886	1
LABEL,FUSE BOX4 (Ref # 56030C)	56030-0887	1
LABEL,FUSE BOX5 (Ref # 56030D)	56030-0888	1

# 2025 Vulcan S CAFÉ

## PARTS LIST

### Chassis Electrical Equipment

ITEM NAME	PART NUMBER	QUANTITY
CLAMP (Ref # 92037)	92037-1173	1
BAND,LEAD WIRE (Ref # 92072)	92072-0768	1
BAND,OS170-FT7(BLACK) (Ref # 92072A)	92072-1414	8
BOLT,FLANGED,6X12 (Ref # 92154)	92154-1050	2
DAMPER,RELAY BOX (Ref # 92161)	92161-0203	1
DAMPER,20X20,T1.0 (Ref # 92161A)	92161-1431	2
DAMPER,15X25X8.5 (Ref # 92161B)	92161-1443	1
CLAMP,L=60 (Ref # 92171)	92171-0652	3
CLAMP,13MM DIA. (Ref # 92171A)	92171-1415	4
SCREW,TAPPING,5X16 (Ref # 92172)	92172-0238	2
SCREW,TAPPING,5X16 (Ref # 92172A)	92172-0742	1
CLAMP,AIR CLEANER (Ref # 92173)	92173-0889	1
CLAMP (Ref # 92173A)	92173-0978	1
CLAMP,CABLE CLIP (Ref # 92173B)	92173-1022	1
CLAMP,CABLE,28MM (Ref # 92173C)	92173-1062	1
CLAMP,WIRE,HEAD PIPE,LH (Ref # 92173D)	92173-1334	1
CLAMP,CABLE STRAP (Ref # 92173E)	92173-1336	2
CLAMP,CLIP,TAIL LAMP,ETC (Ref # 92173F)	92173-1429	2
BOLT-FLANGED,5X10 (Ref # 130)	130AA0510	3
BOLT-FLANGED,6X10 (Ref # 130A)	130AA0610	1
BOLT-FLANGED,6X12 (Ref # 130B)	130AA0612	2
BOLT-FLANGED,6X14 (Ref # 130C)	130AA0614	1
BOLT-FLANGED,5X10 (Ref # 130D)	130BA0510	2
BOLT-FLANGED,6X16 (Ref # 130E)	130BB0616	1
BOLT-FLANGED-SMALL,5X10 (Ref # 132)	132BA0510	1
BOLT-FLANGED-SMALL,6X12 (Ref # 132A)	132BB0612	1
SCREW-PAN-WP-CROS,5X12 (Ref # 224)	224AA0512	1