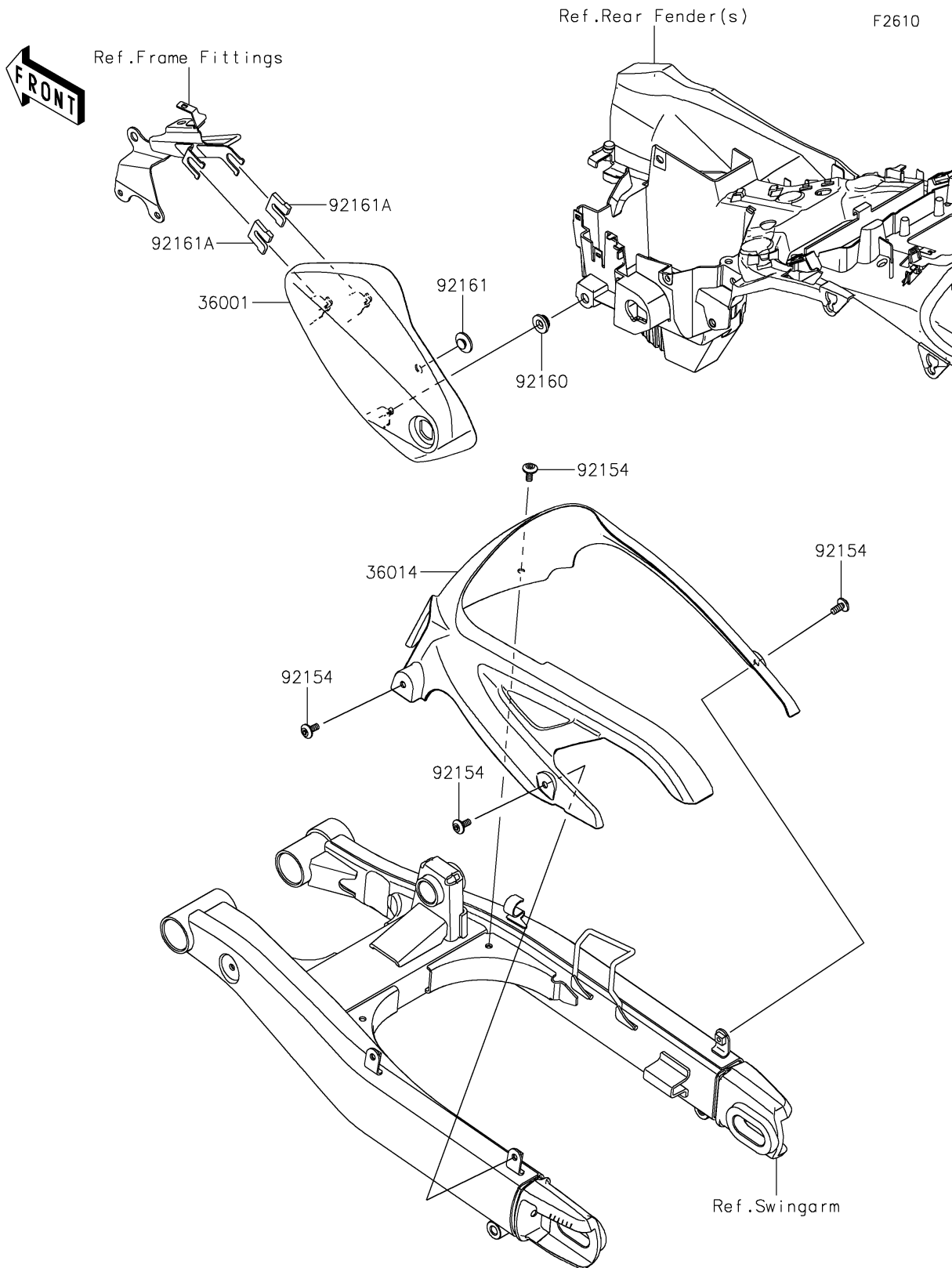


2024 VULCAN® S CAFE ABS

PARTS DIAGRAM

Side Covers/Chain Cover



2024 VULCAN[®] S CAFE ABS

PARTS LIST

Side Covers/Chain Cover

| ITEM NAME | PART NUMBER | QUANTITY |
|-----------|-------------|----------|
|-----------|-------------|----------|
