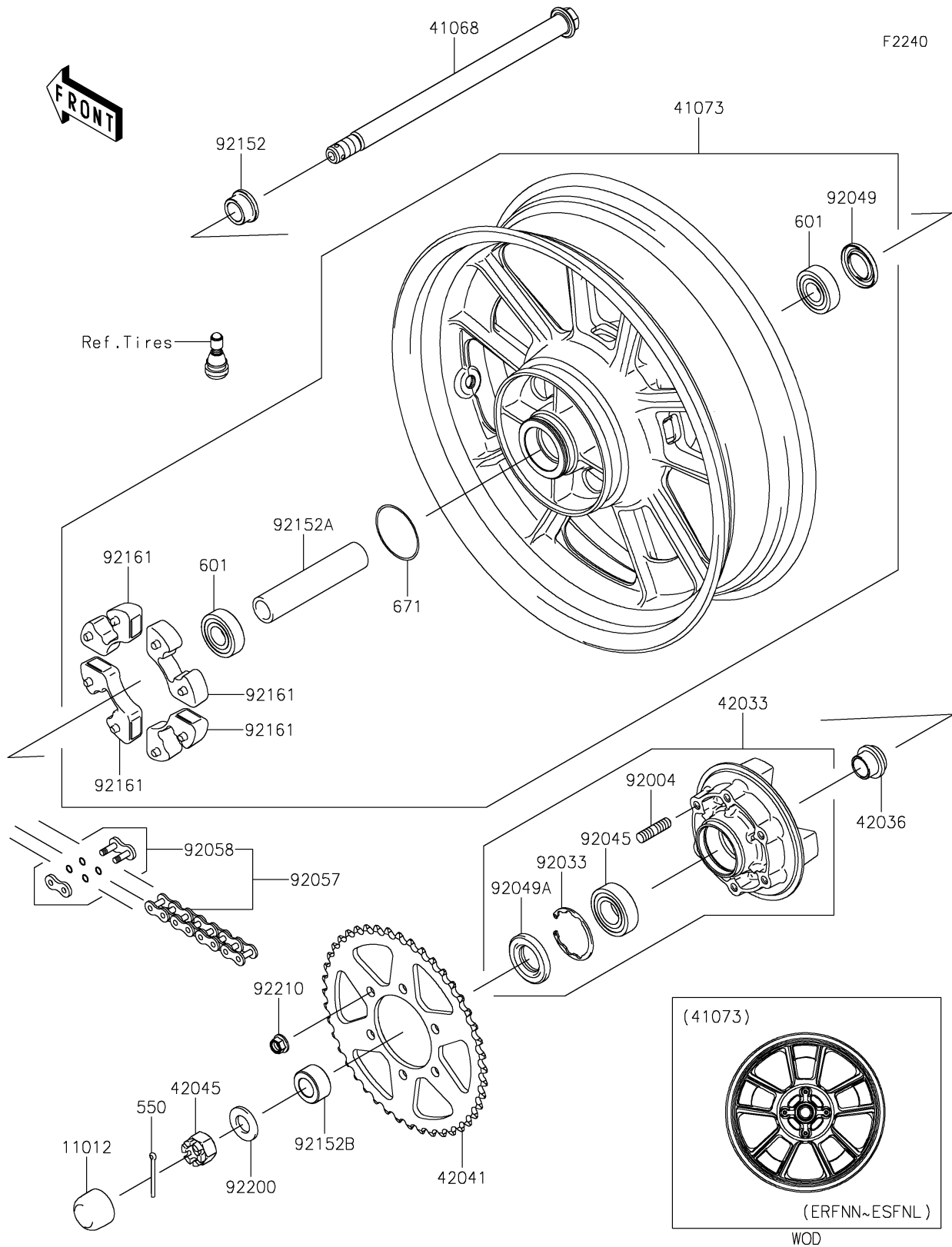


2024 VULCAN® S CAFE ABS

PARTS DIAGRAM

Rear Wheel/Chain



2024 VULCAN[®] S CAFE ABS

PARTS LIST

Rear Wheel/Chain

ITEM NAME	PART NUMBER	QUANTITY
-----------	-------------	----------
