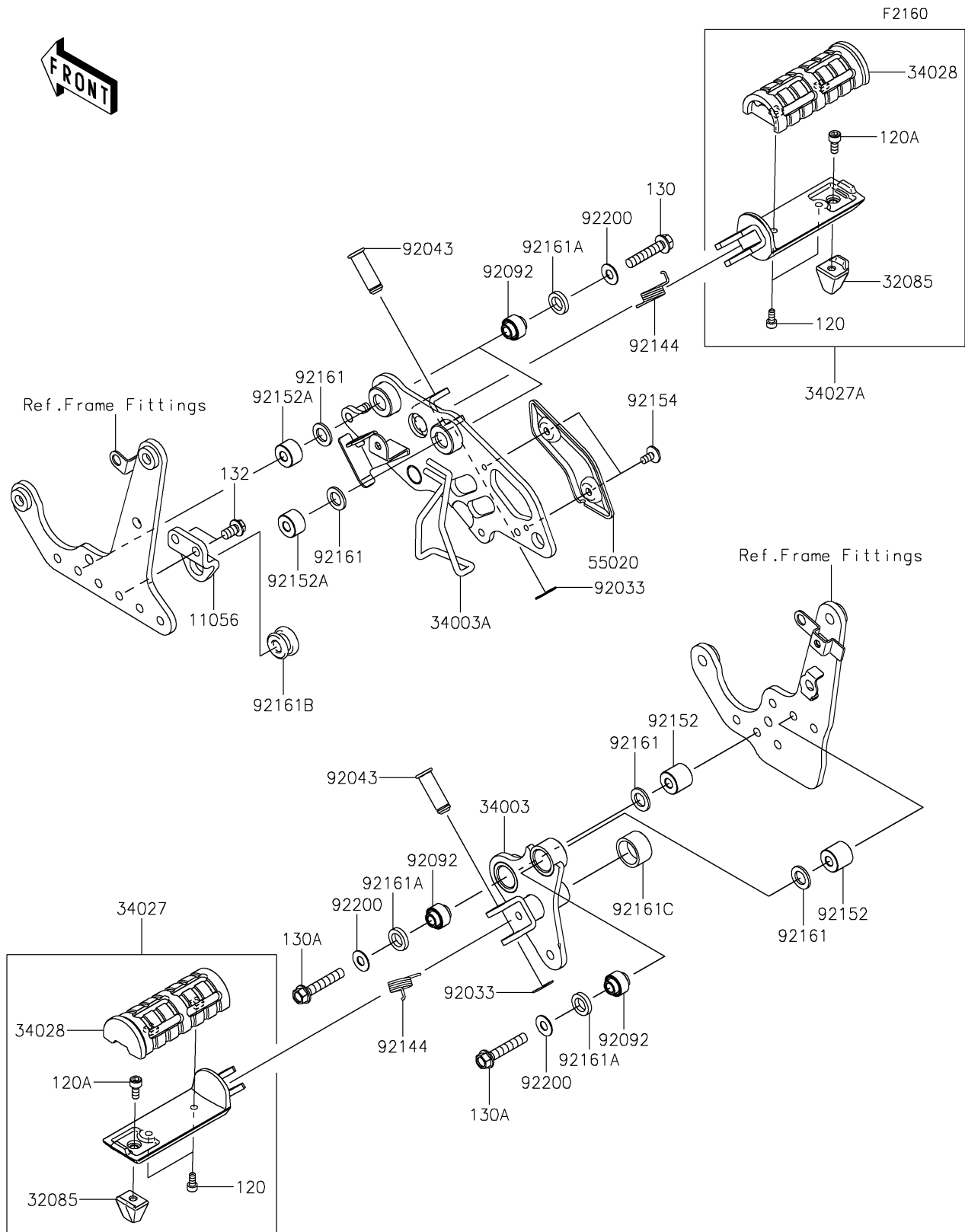


2024 VULCAN® S CAFE ABS

PARTS DIAGRAM

Footrests



2024 VULCAN[®] S CAFE ABS

PARTS LIST

Footrests

ITEM NAME

PART NUMBER

QUANTITY
