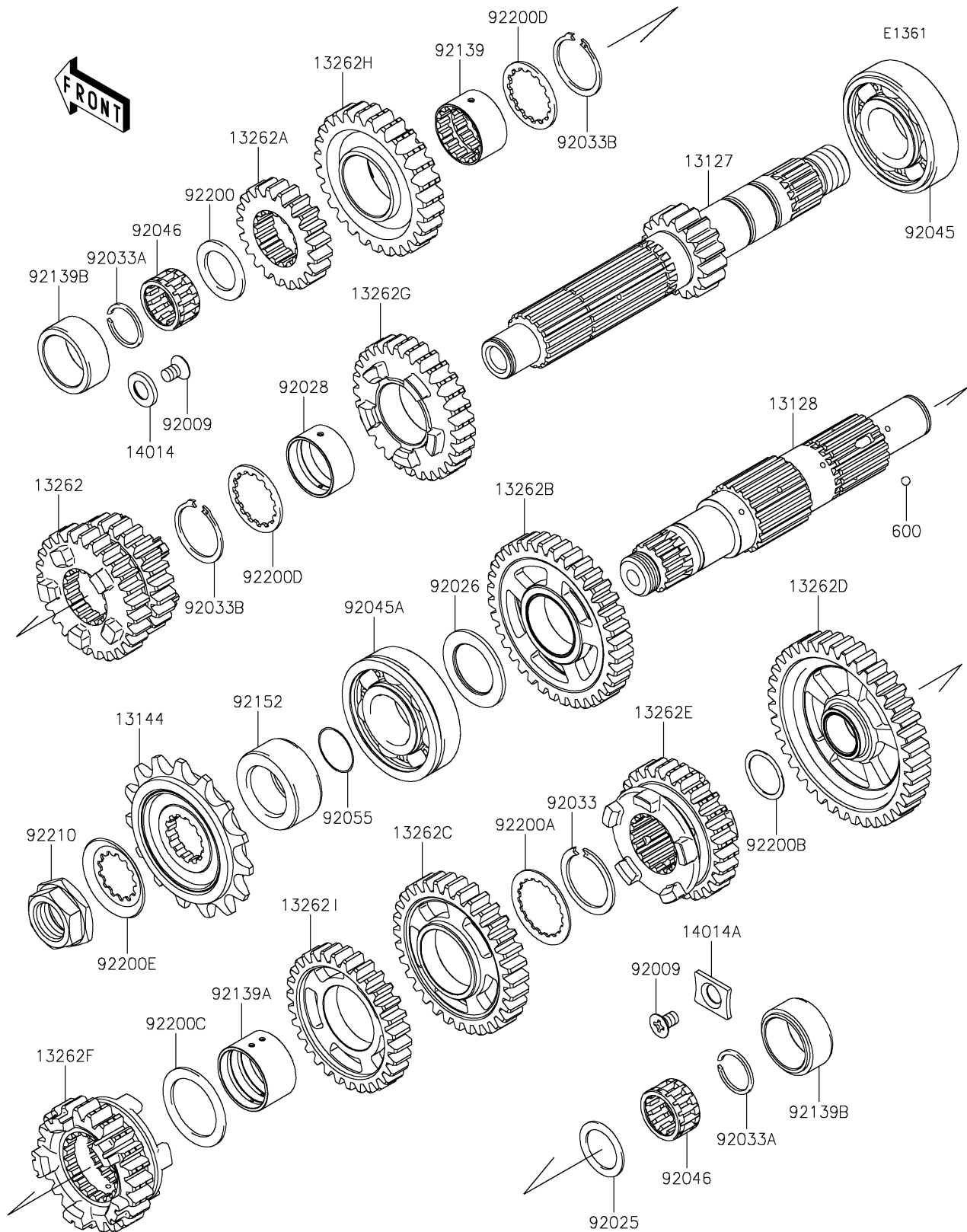


2026 VULCAN® S CAFE ABS

PARTS DIAGRAM

Transmission



2026 VULCAN[®] S CAFE ABS

PARTS LIST

Transmission

ITEM NAME

PART NUMBER

QUANTITY
