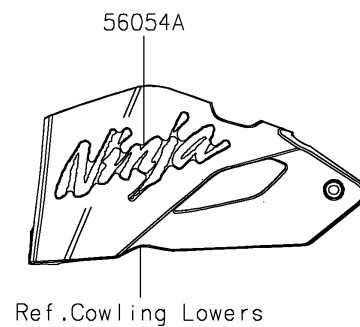
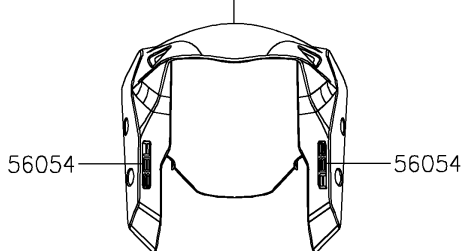
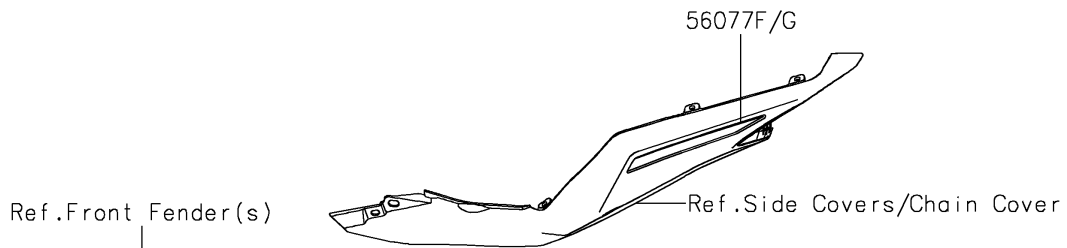
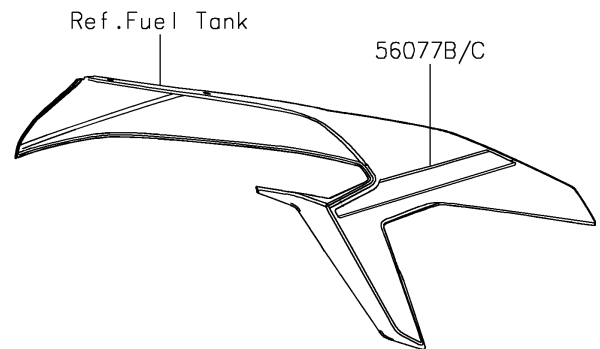
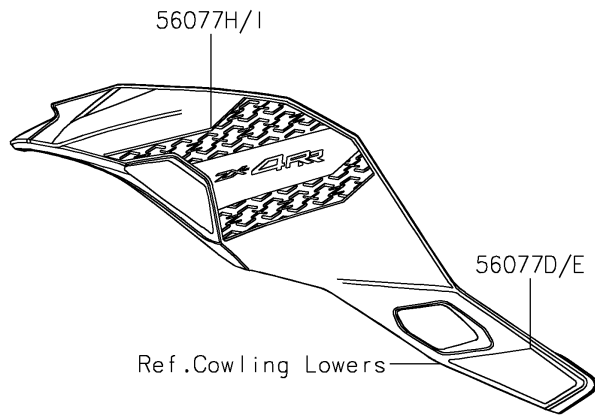
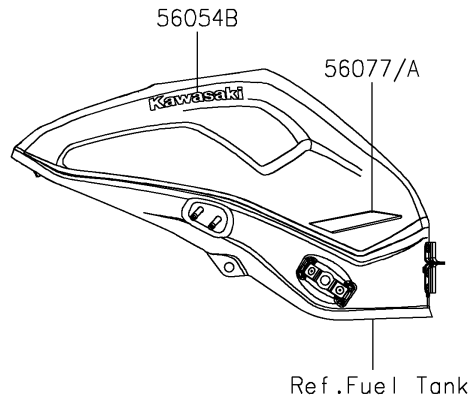
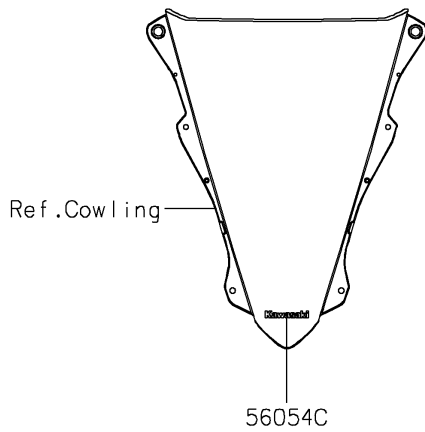


2026 NINJA® ZX™-4RR ABS

PARTS DIAGRAM

Decals(Gray)(STFAN-SVFAL)

F2861C



2026 NINJA® ZX™-4RR ABS

PARTS LIST

Decals(Gray)(STFAN-SVFAL)

| ITEM NAME | PART NUMBER | QUANTITY |
|---|-------------|----------|
| MARK,FR FENDER,ABS (Ref # 56054) | 56054-2979 | 2 |
| MARK,LWR COWL.,NINJA (Ref # 56054A) | 56054-4452 | 2 |
| MARK,FUEL TANK,KAWASAKI (Ref # 56054B) | 56054-4486 | 2 |
| MARK,WINDSHIELD,KAWASAKI (Ref # 56054C) | 56054-4495 | 1 |
| PATTERN,FUEL TANK,LH (Ref # 56077) | 56077-4072 | 1 |
| PATTERN,FUEL TANK,RH (Ref # 56077A) | 56077-4073 | 1 |
| PATTERN,KNEE GRIP COVER,LH (Ref # 56077B) | 56077-4074 | 1 |
| PATTERN,KNEE GRIP COVER,RH (Ref # 56077C) | 56077-4075 | 1 |
| PATTERN,SIDE COWL.,LH,LWR (Ref # 56077D) | 56077-4077 | 1 |
| PATTERN,SIDE COWL.,RH,LWR (Ref # 56077E) | 56077-4079 | 1 |
| PATTERN,TAIL COVER,LH (Ref # 56077F) | 56077-4080 | 1 |
| PATTERN,TAIL COVER,RH (Ref # 56077G) | 56077-4081 | 1 |
| PATTERN,SIDE COWL.,LH (Ref # 56077H) | 56077-4096 | 1 |
| PATTERN,SIDE COWL.,RH (Ref # 56077I) | 56077-4097 | 1 |