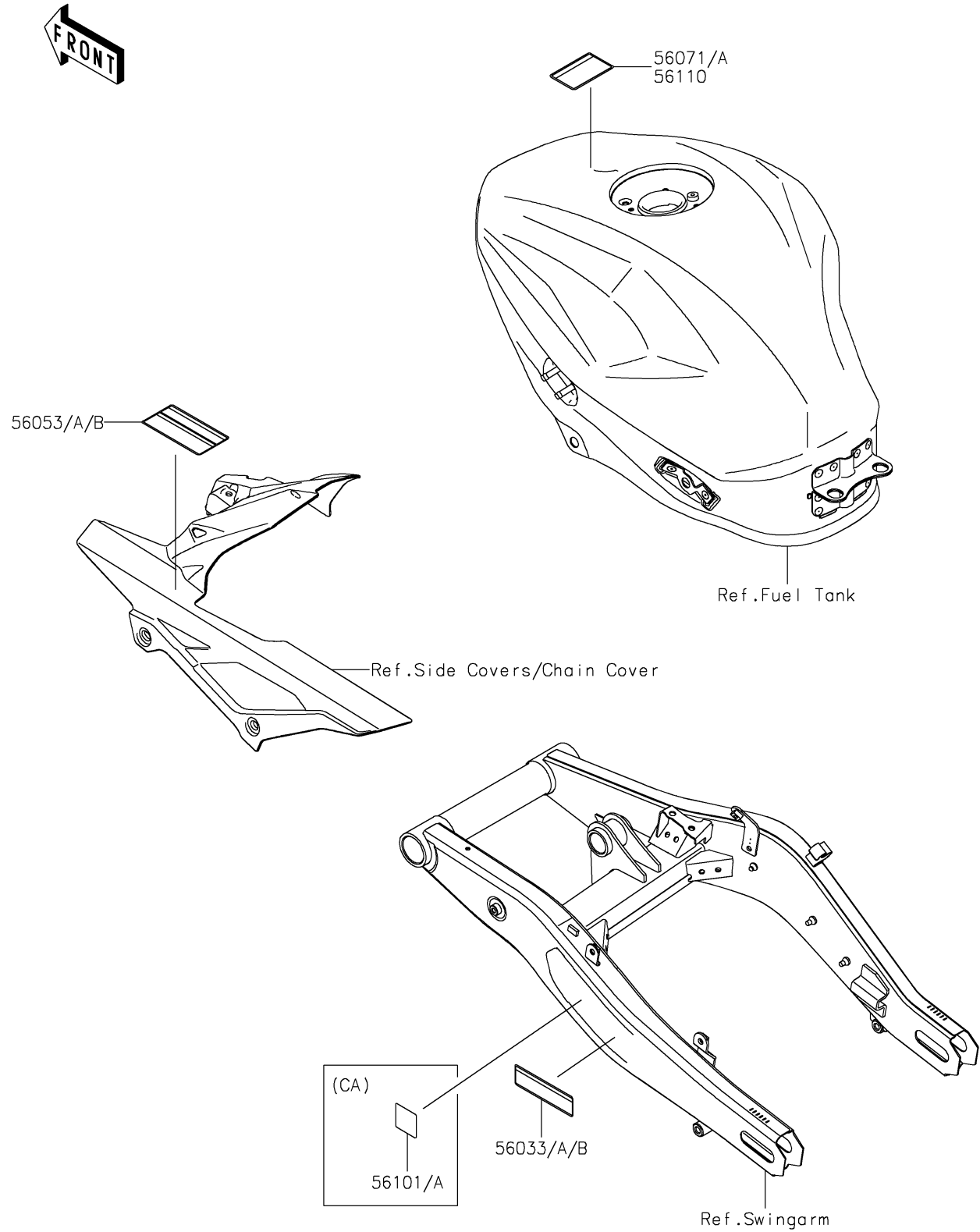


# 2026 NINJA® ZX™-4RR ABS

## PARTS DIAGRAM

### Labels

F2860



# 2026 NINJA<sup>®</sup> ZX<sup>™</sup>-4RR ABS

## PARTS LIST

### Labels

ITEM NAME	PART NUMBER	QUANTITY
LABEL-MANUAL,CHAIN (Ref # 56033)	56033-0887	1
LABEL-MANUAL,CHAIN (Ref # 56033A)	56033-1384	1
LABEL-SPECIFICATION,TIRE&LOAD (Ref # 56053)	56053-1978	1
LABEL-SPECIFICATION,TIRE&LOAD (Ref # 56053A)	56053-1982	1
LABEL-WARNING,EVAPO (Ref # 56071)	56071-0158	1
LABEL-WARNING,EVAPO (Ref # 56071A)	56071-1081	1
LABEL-CERTIFICATION,EVAPO (Ref # 56101)	56101-0512	1