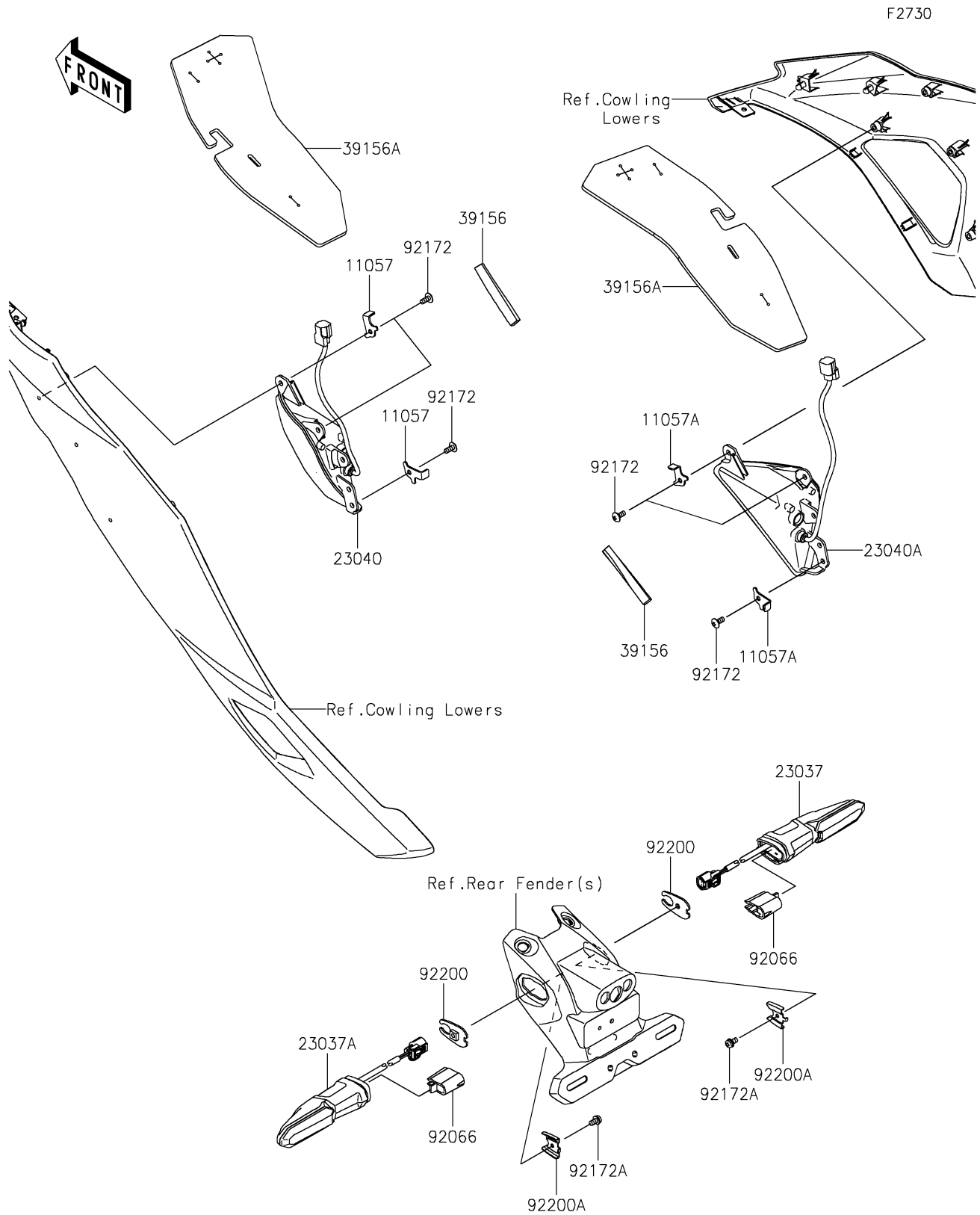


2025 Ninja ZX-4RR ABS

PARTS DIAGRAM

Turn Signals



2025 Ninja ZX-4RR ABS

PARTS LIST

Turn Signals

| ITEM NAME | PART NUMBER | QUANTITY |
|---|-------------|----------|
| BRACKET,FR SIGNAL LAMP,LH (Ref # 11057) | 11057-4176 | 2 |
| BRACKET,FR SIGNAL LAMP,RH (Ref # 11057A) | 11057-4177 | 2 |
| LAMP-ASSY-SIGNAL,LED,RR,RH (Ref # 23037) | 23037-0550 | 1 |
| LAMP-ASSY-SIGNAL,LED,RR,LH (Ref # 23037A) | 23037-0565 | 1 |
| LAMP-SIGNAL,LED,FR,LH (Ref # 23040) | 23040-0157 | 1 |
| LAMP-SIGNAL,LED,FR,RH (Ref # 23040A) | 23040-0158 | 1 |
| PAD,10X80X10 (Ref # 39156) | 39156-2381 | 2 |
| PAD (Ref # 39156A) | 39156-2776 | 2 |
| PLUG,SIGNAL LAMP (Ref # 92066) | 92066-0919 | 2 |
| SCREW,5X12 (Ref # 92172) | 92172-0821 | 6 |
| SCREW-PAN-WP-CROS,4X8 (Ref # 92172A) | 92172-1426 | 2 |
| WASHER,SIGNAL LAMP (Ref # 92200) | 92200-2294 | 2 |
| WASHER (Ref # 92200A) | 92200-2421 | 2 |