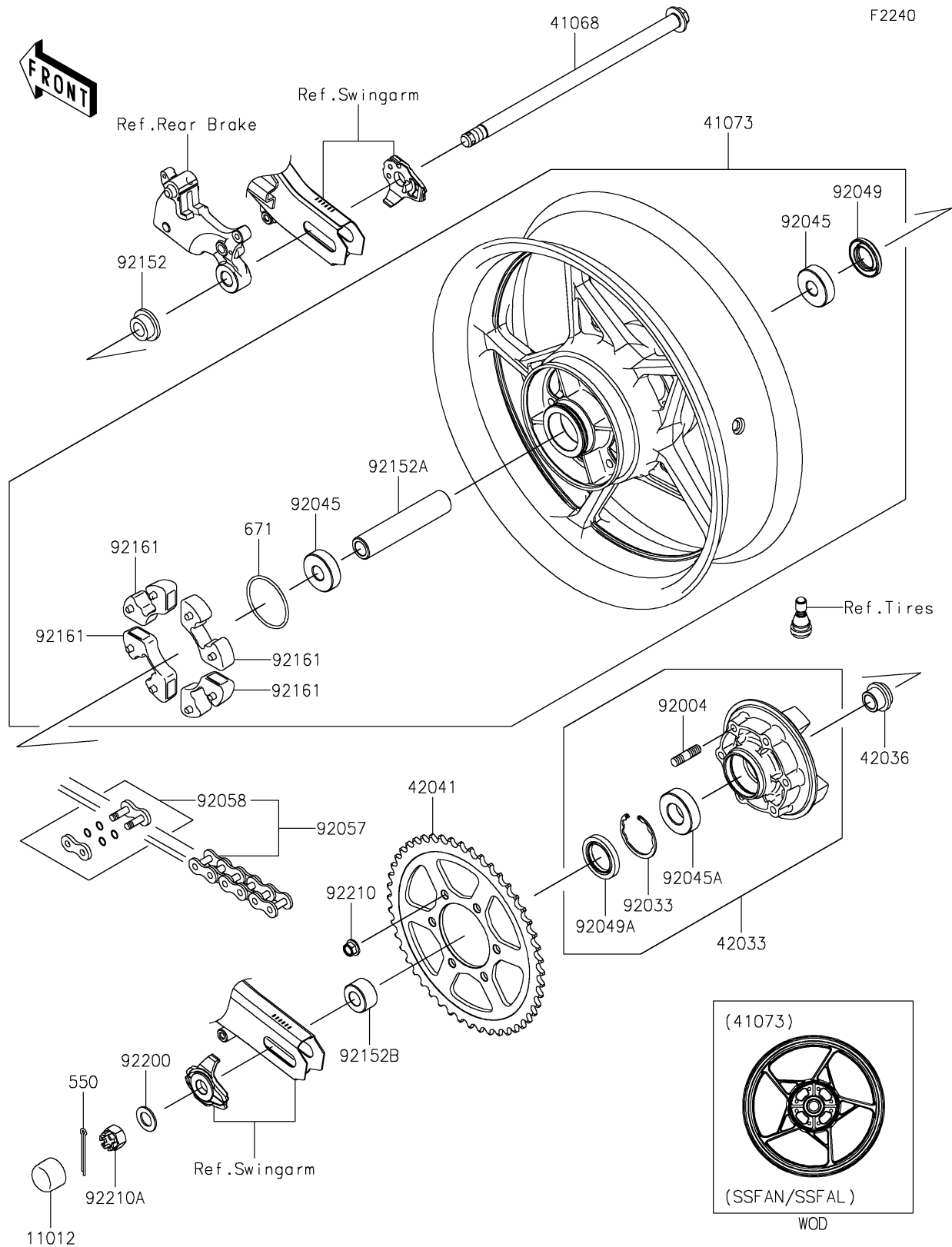


# 2026 NINJA® ZX™-4RR ABS

## PARTS DIAGRAM

### Rear Wheel/Chain



# 2026 NINJA® ZX™-4RR ABS

## PARTS LIST

### Rear Wheel/Chain

| ITEM NAME                                | PART NUMBER   | QUANTITY |
|--|---------------|----------|
| CAP,AXLE NUT (Ref # 11012)               | 11012-1592    | 1        |
| AXLE,RR (Ref # 41068)                    | 41068-0652    | 1        |
| WHEEL-ASSY,RR,G.BLACK (Ref # 41073)      | 41073-0943-QT | 1        |
| COUPLING-ASSY,RR HUB (Ref # 42033)       | 42033-0603    | 1        |
| SLEEVE (Ref # 42036)                     | 42036-0874    | 1        |
| SPROCKET-HUB,48T (Ref # 42041)           | 42041-0178    | 1        |
| STUD,10X19 (Ref # 92004)                 | 92004-0048    | 6        |
| RING-SNAP,52MM (Ref # 92033)             | 92033-1043    | 1        |
| BEARING-BALL,6303-2NSE9 (Ref # 92045)    | 92045-1495    | 2        |
| BEARING-BALL,6205-2NSE9C3 (Ref # 92045A) | 92045-1496    | 1        |
| SEAL-OIL,27X47X7 (Ref # 92049)           | 92049-0802    | 1        |
| SEAL-OIL (Ref # 92049A)                  | 92049-1287    | 1        |
| CHAIN,DRIVE,DID520VM5X114L (Ref # 92057) | 92057-0904    | 1        |
| JOINT-CHAIN (Ref # 92058)                | 92058-0088    | 1        |
| COLLAR,17X28(38)X15 (Ref # 92152)        | 92152-0844    | 1        |
| COLLAR,25X27.2X133 (Ref # 92152A)        | 92152-2873    | 1        |
| COLLAR,17X35X19.5 (Ref # 92152B)         | 92152-2876    | 1        |
| DAMPER,SHOCK,RR HUB (Ref # 92161)        | 92161-0303    | 4        |
| WASHER,17.3X30X2 (Ref # 92200)           | 92200-1916    | 1        |
| NUT,LOCK,FLANGED,10MM (Ref # 92210)      | 92210-0276    | 6        |
| NUT,CASTLE,16X19 (Ref # 92210A)          | 92210-1585    | 1        |
| PIN-COTTER,4.0X35 (Ref # 550)            | 550AA4035     | 1        |
| O RING,60MM (Ref # 671)                  | 671B2560      | 1        |