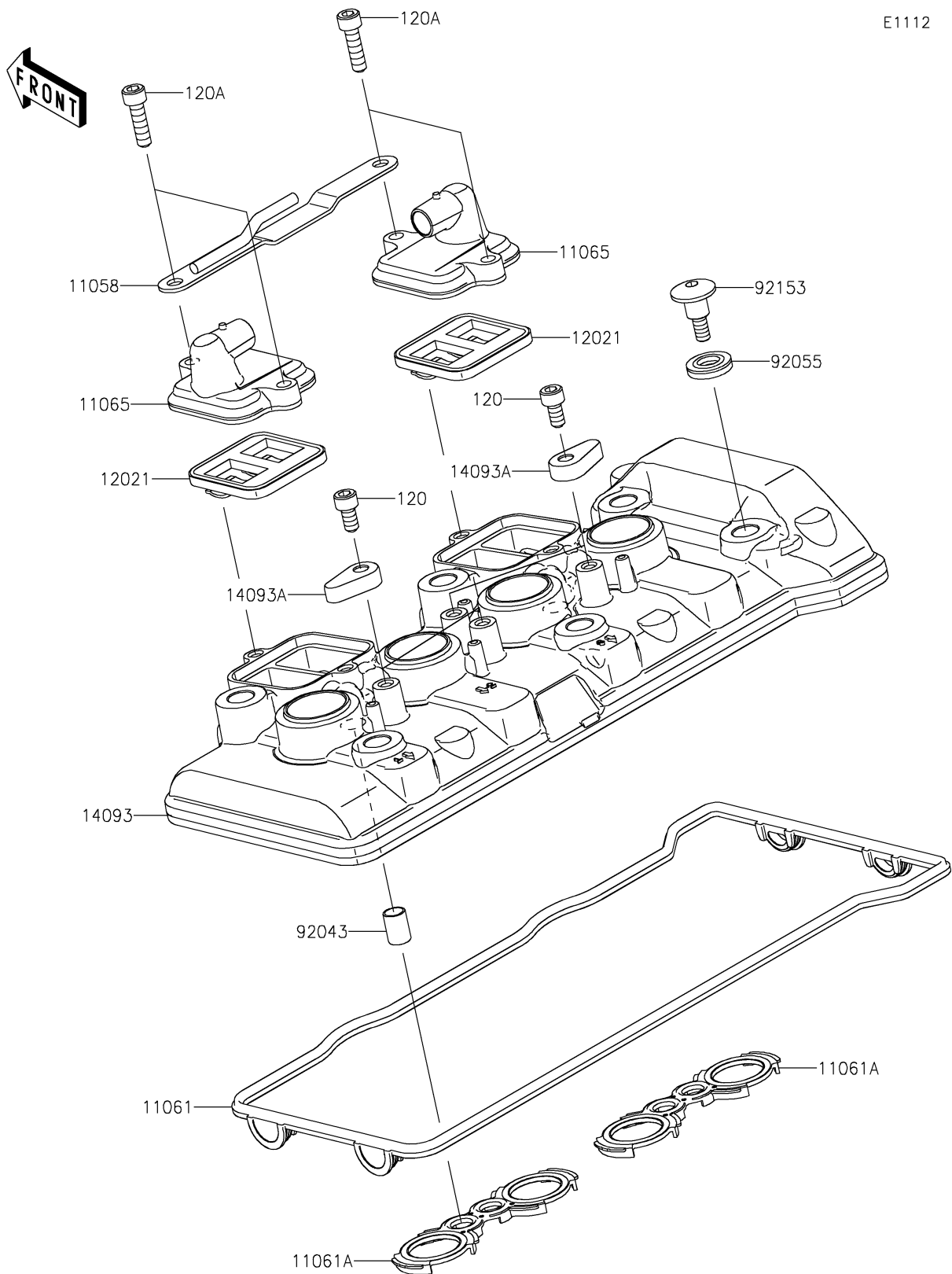


2025 NINJA[®] ZX[™]-4RR KRT EDITION ABS

PARTS DIAGRAM Cylinder Head Cover



E1112

2025 NINJA® ZX™-4RR KRT EDITION ABS

Kawasaki
Let the Good Times Roll®

PARTS LIST

Cylinder Head Cover

| ITEM NAME | PART NUMBER | QUANTITY |
|--------------------------------------|-------------|----------|
| BRACKET,HEAD COVER CAP (Ref # 11058) | 11058-0546 | 1 |
| GASKET,HEAD COVER (Ref # 11061) | 11061-1420 | 1 |
| GASKET,PLUG HOLE (Ref # 11061A) | 11061-1464 | 2 |
| CAP,HEAD COVER (Ref # 11065) | 11065-1417 | 2 |
| VALVE-ASSY-REED (Ref # 12021) | 12021-0716 | 2 |
| COVER,HEAD (Ref # 14093) | 14093-1217 | 1 |
| COVER (Ref # 14093A) | 14093-1450 | 4 |
| PIN,DOWEL,10X14 (Ref # 92043) | 92043-1037 | 4 |
| RING-O (Ref # 92055) | 92055-0143 | 6 |
| BOLT,SOCKET,6X22.5 (Ref # 92153) | 92153-1779 | 6 |
| BOLT-SOCKET,6X12 (Ref # 120) | 120CA0612 | 4 |
| BOLT-SOCKET,6X22 (Ref # 120A) | 120CA0622 | 4 |